



# 14.56 GHz Cavity Bandpass Filter

Part Number: AB14560B676



## Electrical specifications

**Center Frequency:** 14.56 GHz  
**3 dB Bandwidth:** 14.5 - 14.620 GHz  
**Input / Output Impedance:** 50 Ohms  
**Insertion Loss @ fo:** <4dB  
**Passband Return Loss:** >14dB  
**Rejection:** >50dB @0-14.4GHz  
**Rejection 2:** >50dB @ 14.715-20 GHz  
**Power Handling:**

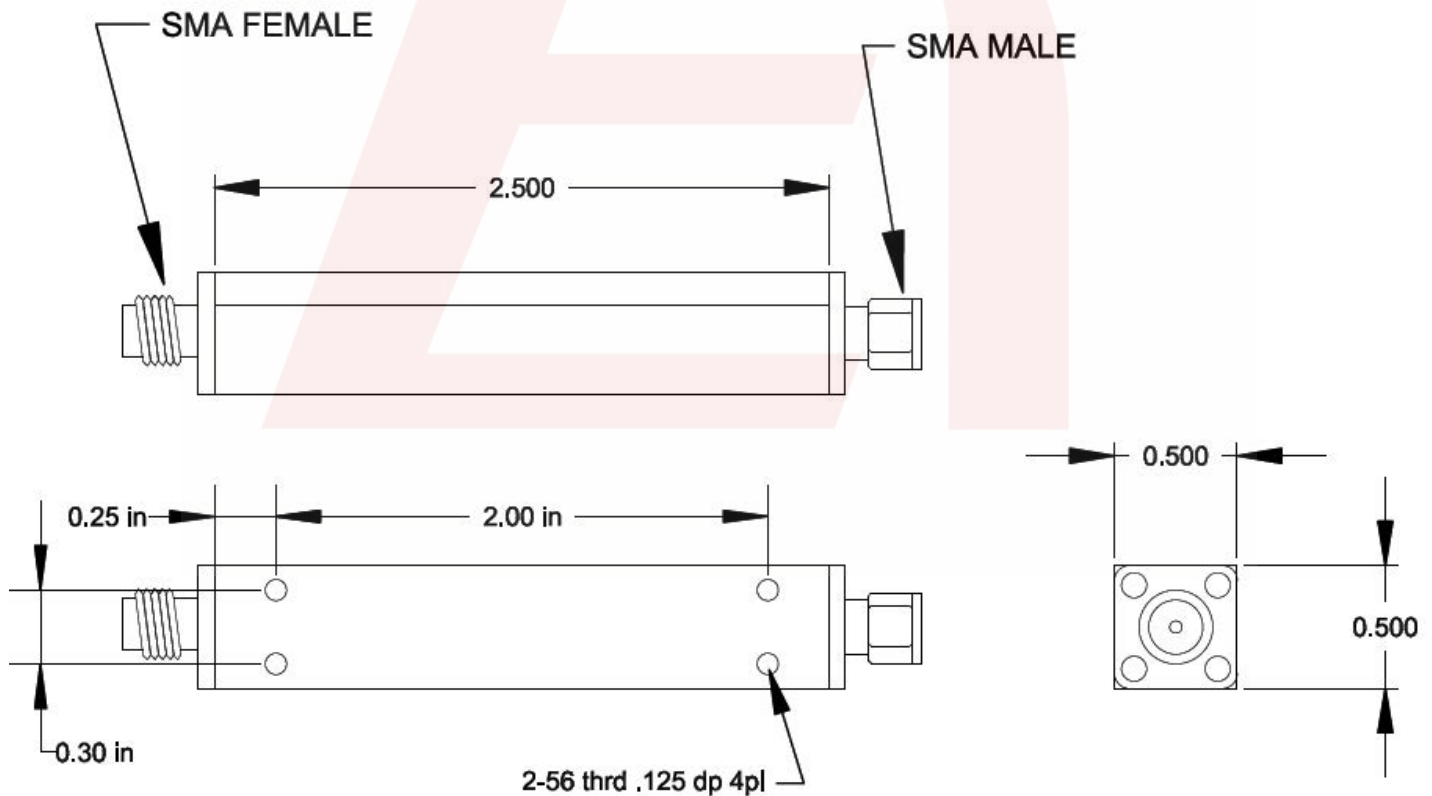
## Mechanical

**Mounting Method:** Threaded Mounting Holes  
**Connector Type:** SMA (M-F), Panel Receptacle, 4 hole  
**Dimensions:** 2.5 x 0.5 x 0.5 inches

## Environmental

**Operating Temperature:** 0 to 50 deg.C  
**Storage Temperature:** -55 to +95 deg.C  
**Shock:** 20 G. 11ms  
**Vibration:** 20G. 5 to 200 Hz

## Outline Drawing:



DS-B676-03152018-Rev1