



**Electrical specifications**

**Center Frequency:** 1927.5 MHz  
**Passband:** 1700-2155 MHz  
**1dB BW:** 455 MHz  
**Insertion Loss @ 1927 MHz:** <= 0.5dB  
**Return Loss @ passband:** >15 dB  
**Rejection:** >=30dB @ 1660MHz  
**Rejection:** >=30dB @ 2195 MHz  
**Power Handling:** +48dBm (max)  
**Input / Output Impedance:** 50 Ohms

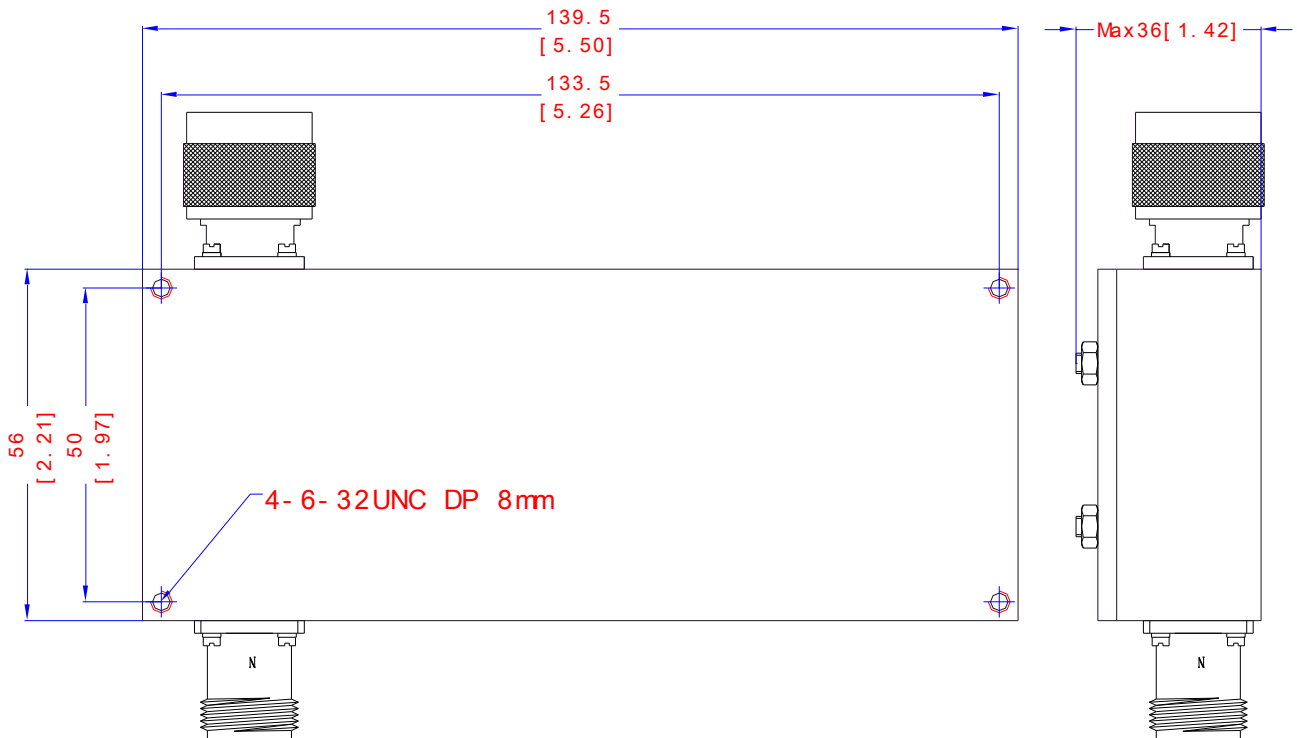
**Mechanical**

**Connector Type:** N (F)/ N(M)  
**Dimensions:** 5.50" x 2.21" x 1.42 (max)

**Environmental**

**Operating Temperature:** -45 to +85 deg.C  
**Storage temperature:** -65 to +95 deg.C  
**Shock:** 20 G's, 1/2 sine, 11ms  
**Vibration:** 10 G's, 10-2000Hz  
**Relative Humidity:** 0-95%

**Outline Drawing:**





**ANATECH ELECTRONICS INC**  
RF & Microwave Filters & Products

# 1700-2155 MHz Cavity Bandpass Filter

Part Number: AB1927B1197



## Simulated response Plot:

