



ANATECH ELECTRONICS INC
RF & Microwave Filters & Products

2441 MHz Cavity Band Pass Filter

Part Number: AB2441B780-N



Electrical specifications

Center Frequency: 2441 MHz
Bandwidth: 83 MHz
Input / Output Impedance: 50 Ohms
Passband: 2400-2483 MHz
Passband Insertion Loss: 1dB max
Passband Ripple: <0.2 dB
Passband Return Loss: > 15 dB
Rejection: 40 dB @ 2300 MHz - 2383 MHz
Rejection 2: 40 dB @ 2583 MHz
Power Handling: 30 W

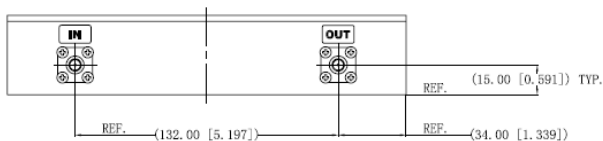
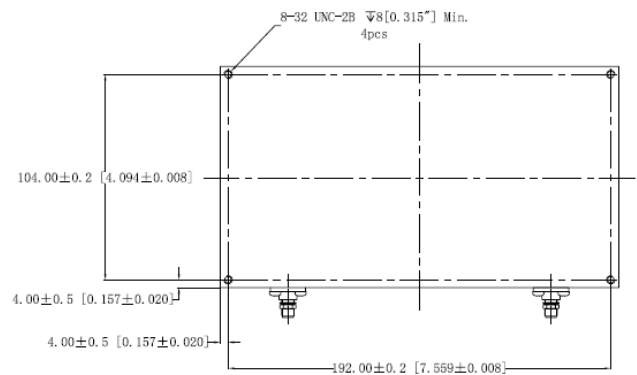
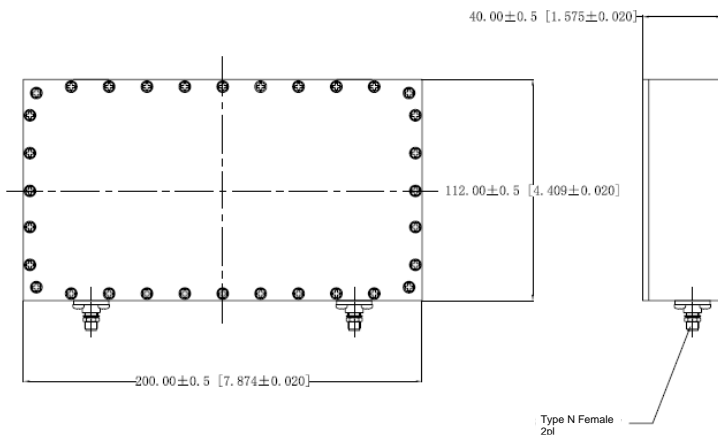
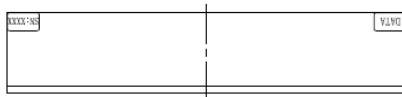
Mechanical

Mounting Method: Threaded Mounting Holes
Connector Type: N Type (F) Waterproof X2
Dimensions: 200 x 112 x 40 mm.

Environmental

Operating Temperature: -45 to +85 deg.C
Storage Temperature: -55 to +95 deg.C
Shock: 20 G. 11ms
Vibration: 20 G. 5to 200 MHz

Outline Drawing:





ANATECH ELECTRONICS INC
RF & Microwave Filters & Products

2441 MHz Cavity Band Pass Filter

Part Number: AB2441B780



Response Plot:

