



Electrical specifications

Center Frequency: 5350 MHz
Bandwidth: 500 MHz
Input / Output Impedance: 50 Ohms
Passband: 5100-5600 MHz
Passband Insertion Loss: < 1.5 dB
Passband Ripple: <0.2 dB
Passband Return Loss: >10 dB
Rejection: >70 @ 5735-5835 MHz
Power Handling: 35 W

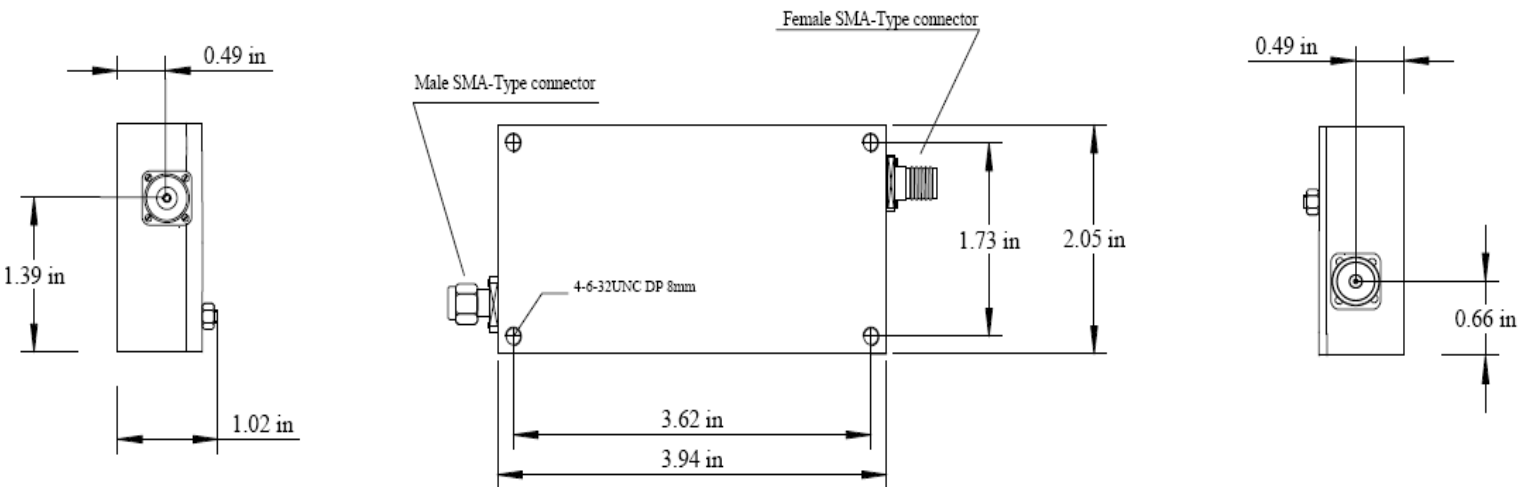
Mechanical

Mounting Method: Threaded Mounting Holes
Connector Type: N-Type (F) and N-Type (F)
Dimensions: 3.937" x 2.047" x 0.984"
 (100mm x 52mm x 26mm)

Environmental

Operating Temperature: -10 to +50 deg.C
Storage Temperature: -55 to +95 deg.C
Shock: 20 G. 11ms
Vibration: 20 G. 5 to 200 MHz

Outline Drawing:





Response Plot:

