



# 896.725 MHz Cavity Bandpass Filter

Part Number: AB896B1039



**ANATECH ELECTRONICS INC**  
RF & Microwave Filters & Products

## Electrical specifications

**Center frequency:** 896.752 MHz  
**Passband:** 891.752-901.752 MHz  
**Insertion loss:** <1.5 dB  
**Return loss:** >16 dB  
**Out of band rejection 1:** 75 dB@835-875.752 MHz  
**Out of band rejection 2:** 75 dB@917.752-960 MHz  
**Power handling:** 20 Watts

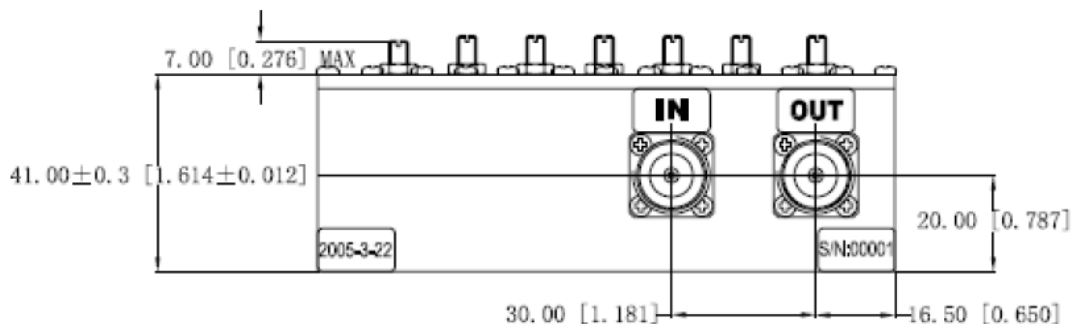
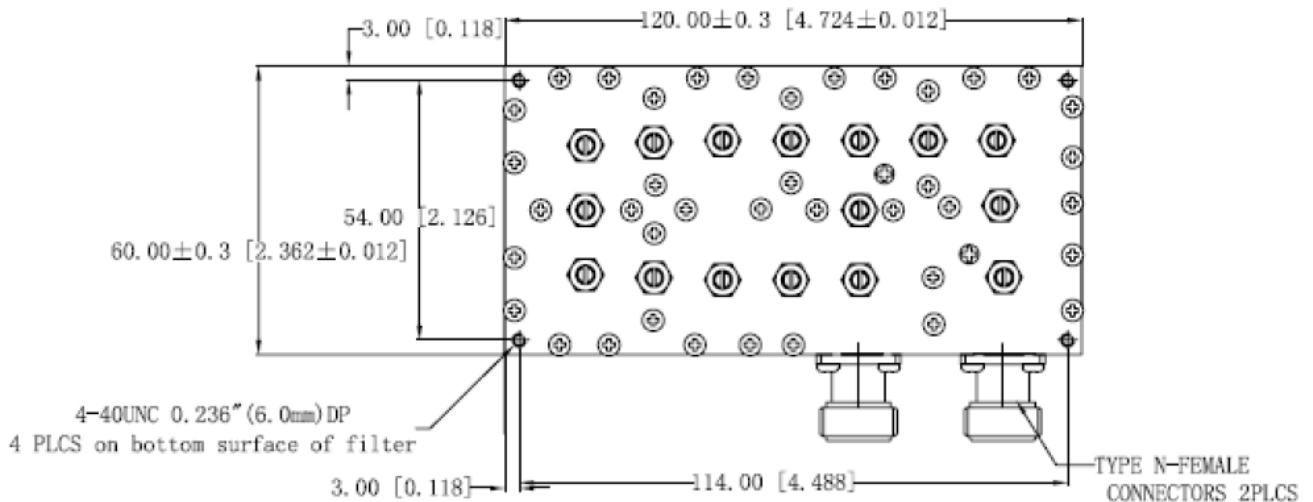
## Mechanical

**Mounting Method:** Threaded Mounting Holes  
**Connector Type:** N-Type Female  
**Dimensions:** 4.72" x 2.36" x 1.89" in

## Environmental

**Operating Temperature:** -45 to +85° C  
**Storage Temperature:** -55 to +95° C  
**Shock:** 20 G. 11ms  
**Vibration:** 20 G. 5 to 200 MHz

## Outline Drawing:





### Plot:

