



915-928 MHz Cavity Bandpass Filter

Part Number: AB921B927-S



ANATECH ELECTRONICS INC
RF & Microwave Filters & Products

Electrical specifications

- Center frequency:** 921.5 MHz
- Passband:** 915-928 MHz
- Insertion loss @CF:** <1.5 dB
- Return loss:** >16 dB
- Rejection Frequency:** >75 dB@CF +/-20 MHz
- Power Handling:** 20 Watts

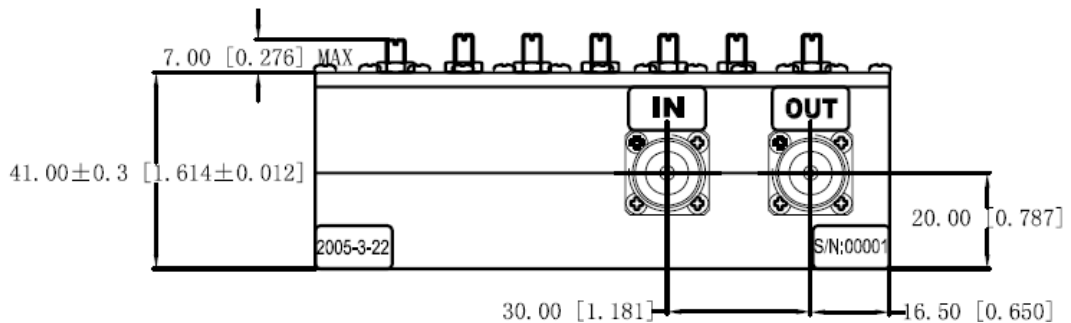
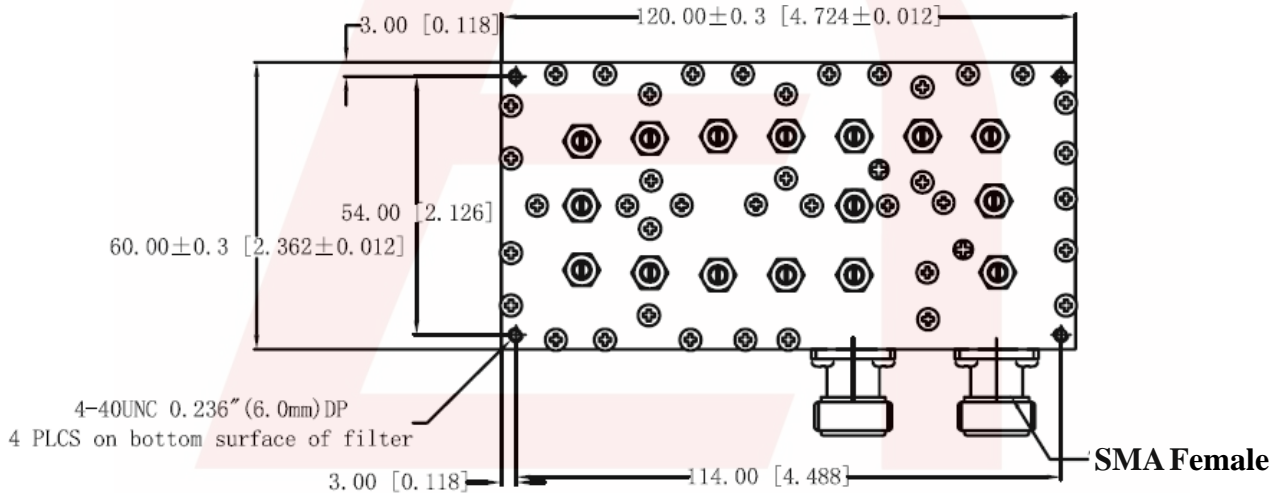
Mechanical

- Mounting Method:** Threaded Mounting Holes
- Connector Type:** SMA Female
- Dimensions:** 4.72" x 2.36" x 1.89" in

Environmental

- Operating Temperature:** -45 to +85° C
- Storage Temperature:** -55 to +95° C
- Shock:** 20 G. 11ms
- Vibration:** 20 G. 5 to 200 MHz

Outline Drawing:





915-928 MHz Cavity Bandpass Filter

Part Number: AB921B927-S

ANATECH ELECTRONICS INC
RF & Microwave Filters & Products



Response Plot:

