



Electrical specifications

Center Frequency: 921.5 MHz
Bandwidth: 13 MHz
Input / Output Impedance: 50 Ohms
Passband: 915-928 MHz
Passband Insertion Loss: @ CF: <1.5 dB
Passband Ripple: <0.2 dB
Passband Return Loss: >16 dB
Rejection: >75 dB @ CF +/- 20 MHz
Power Handling: 40 Watts

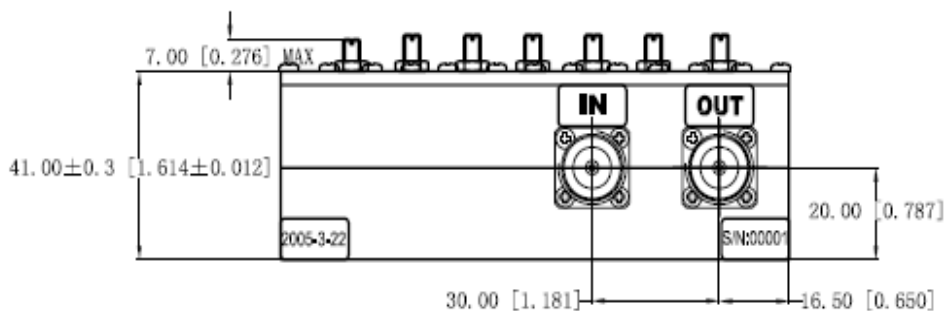
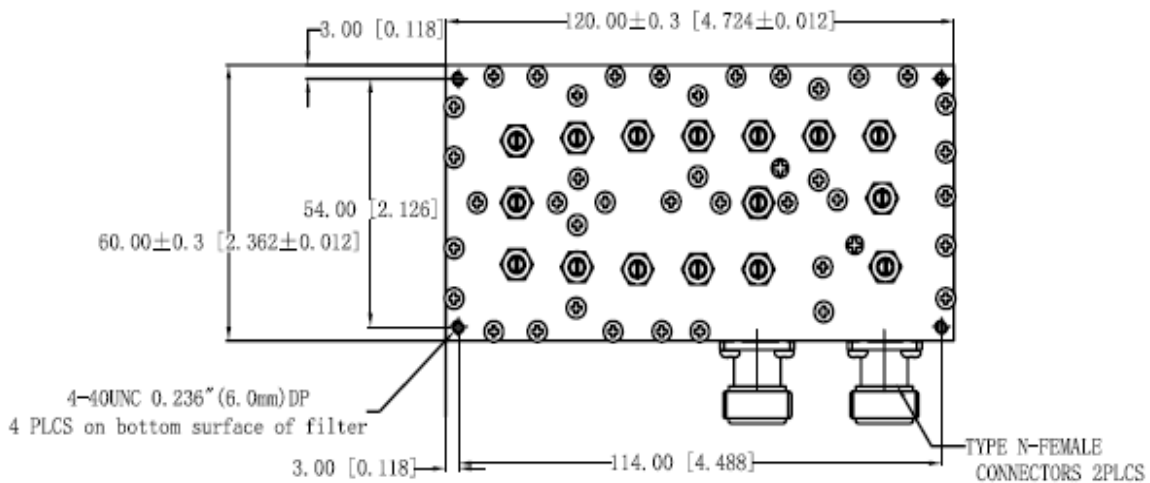
Mechanical

Mounting Method: Threaded Mounting Holes
Connector Type: N-Type Female
Dimensions: 120 x 114 x 60 mm.

Environmental

Operating Temperature: -20° C to +70° C
Storage Temperature: -55° C to +85° C
Shock: 20 G. 11ms
Vibration: 20 G. 5 to 200 MHz

Outline Drawing:





ANATECH ELECTRONICS INC
RF & Microwave Filters & Products

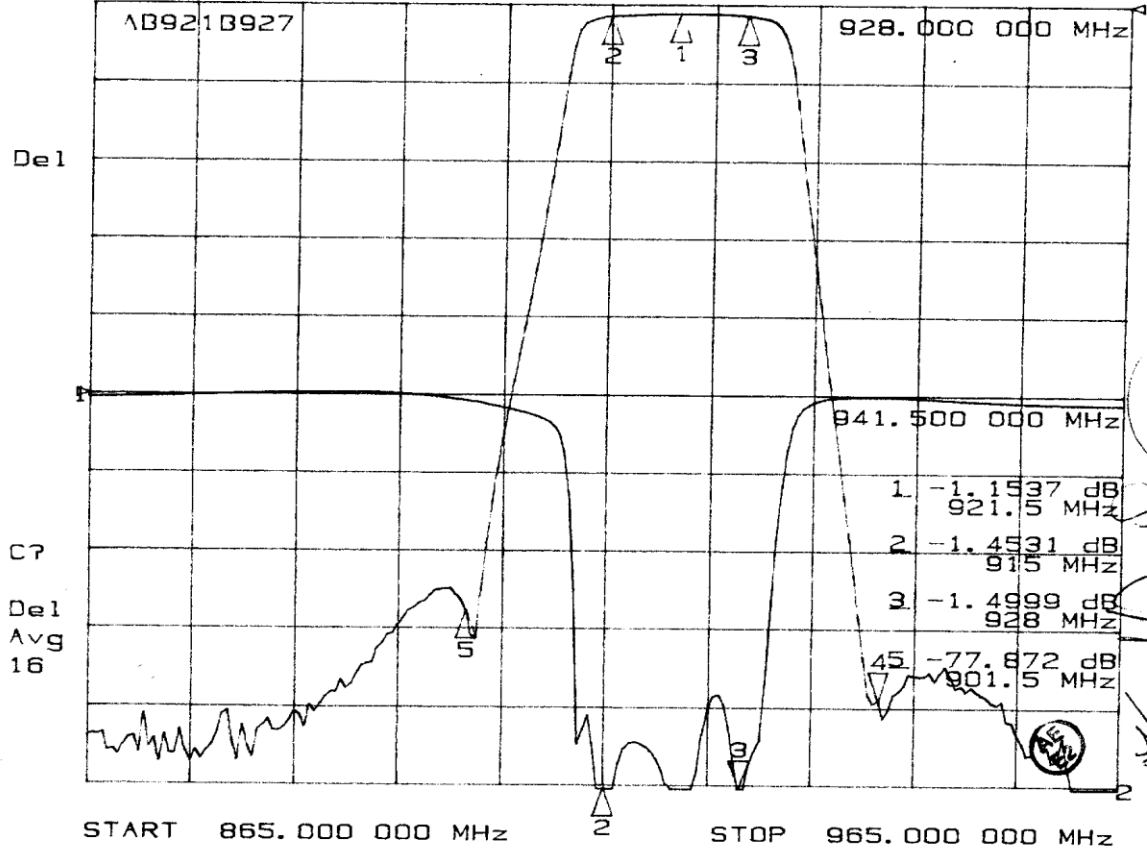
915-928 MHz Cavity Bandpass Filter

Part Number: AB921B927



Response Plot:

15 Feb 2010 11:44:15
 CH1 S₁₁ 10g MAG 5 dB/ REF 0 dB 3: -25.627 dB
 CH2 S₂₁ 10g MAG 10 dB/ REF 0 dB 4: -89.108 dB



Handwritten signature and initials