



1967.5 MHz / 2157.5 MHz Cavity Duplexer

Part Number: AD1967-2157D441

ANATECH ELECTRONICS INC
RF & Microwave Filters & Products

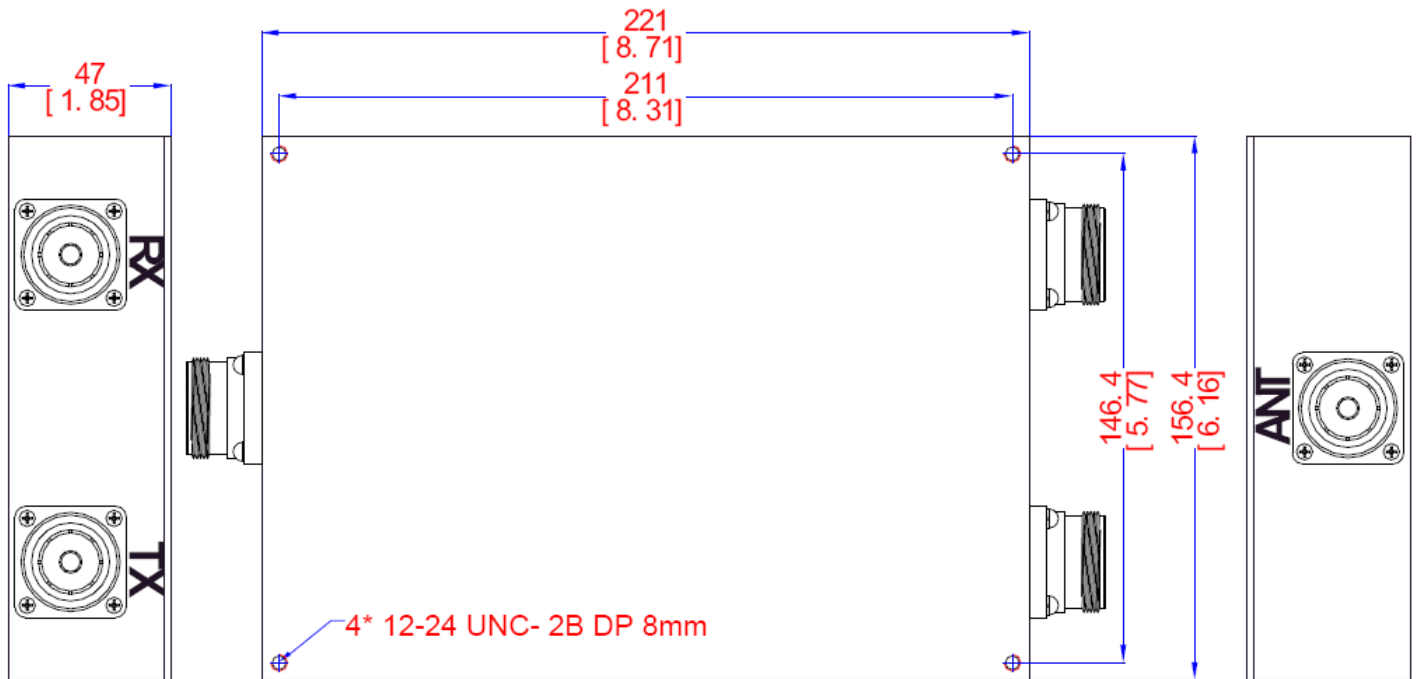


<u>Characteristics</u>	<u>Band 1</u>	<u>Band 2</u>
Passband:	1965-1970 MHz	2155-2160 MHz
Bandwidth:	5 MHz	5 MHz
Passband Return Loss:	≥18 dB	≥18 dB
Passband Insertion Loss:	≤1.8 dB	≤0.7 dB
Input / Output Impedance:	50 Ohms	50 Ohms
Isolation:	≥60 dB	≥60 dB
Power Handling:	250 W	250 W
PIM3 (2*43dBm):	-145dBc (TYP:-150dBc)	-145dBc (TYP:-150dBc)

<u>Mechanical</u>	
Mounting Method:	Threaded Mounting Holes
Connector Type:	7/16 (F)
Dimensions:	8.71 x 6.16 x 1.85 inches

<u>Environmental</u>	
Operating Temperature:	-40 to +65 deg.C
Storage Temperature:	-50 to +90 deg.C
Environmental Protection:	IP65

Outline Drawing:





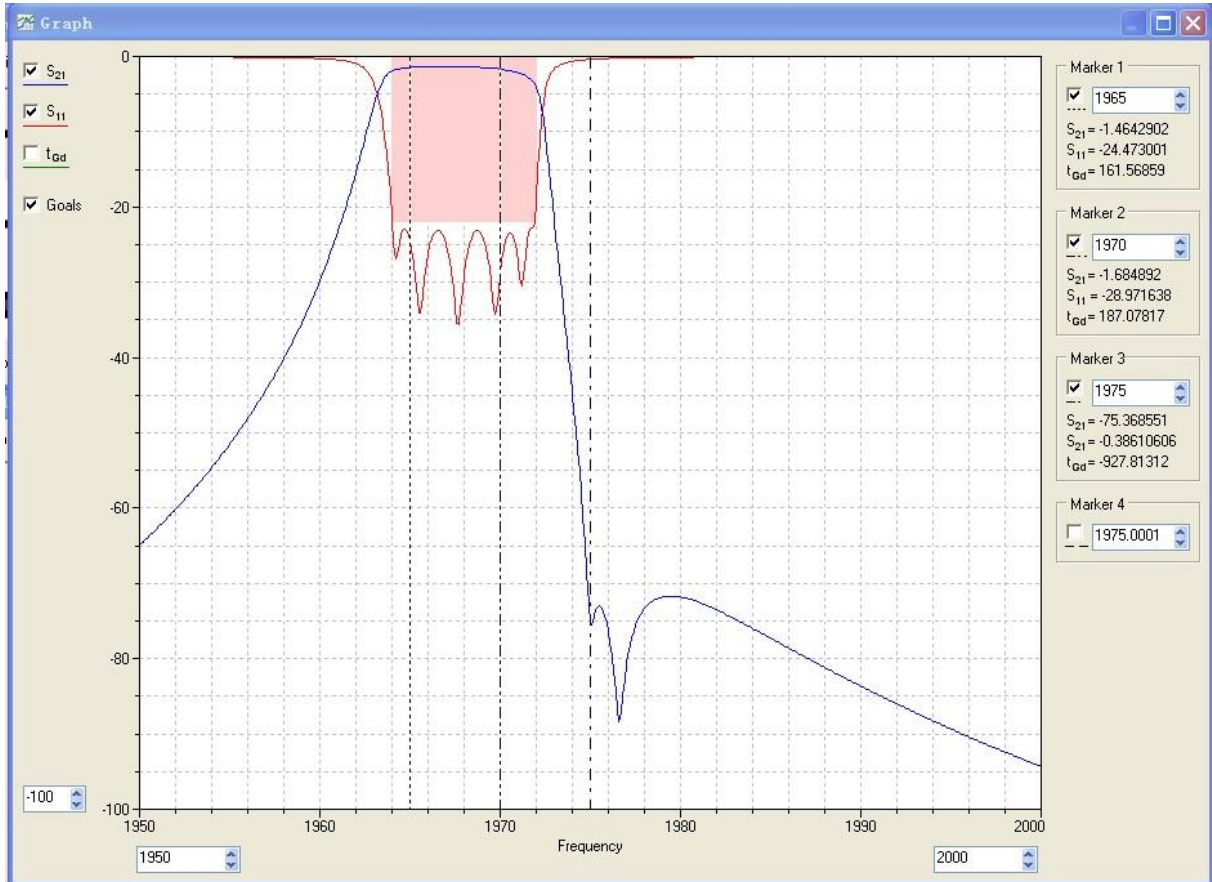
1967.5 MHz / 2157.5 MHz Cavity Duplexer

Part Number: AD1967-2157D441

ANATECH ELECTRONICS INC
RF & Microwave Filters & Products



Response Plots:





1967.5 MHz / 2157.5 MHz Cavity Duplexer

Part Number: AD1967-2157D441

ANATECH ELECTRONICS INC
RF & Microwave Filters & Products



Response Plots:

