



ANATECH ELECTRONICS INC
RF & Microwave Filters & Products

2401-2423 MHz / 2451-2473 MHz Cavity Duplexer

Part Number: AD2412-2462D246

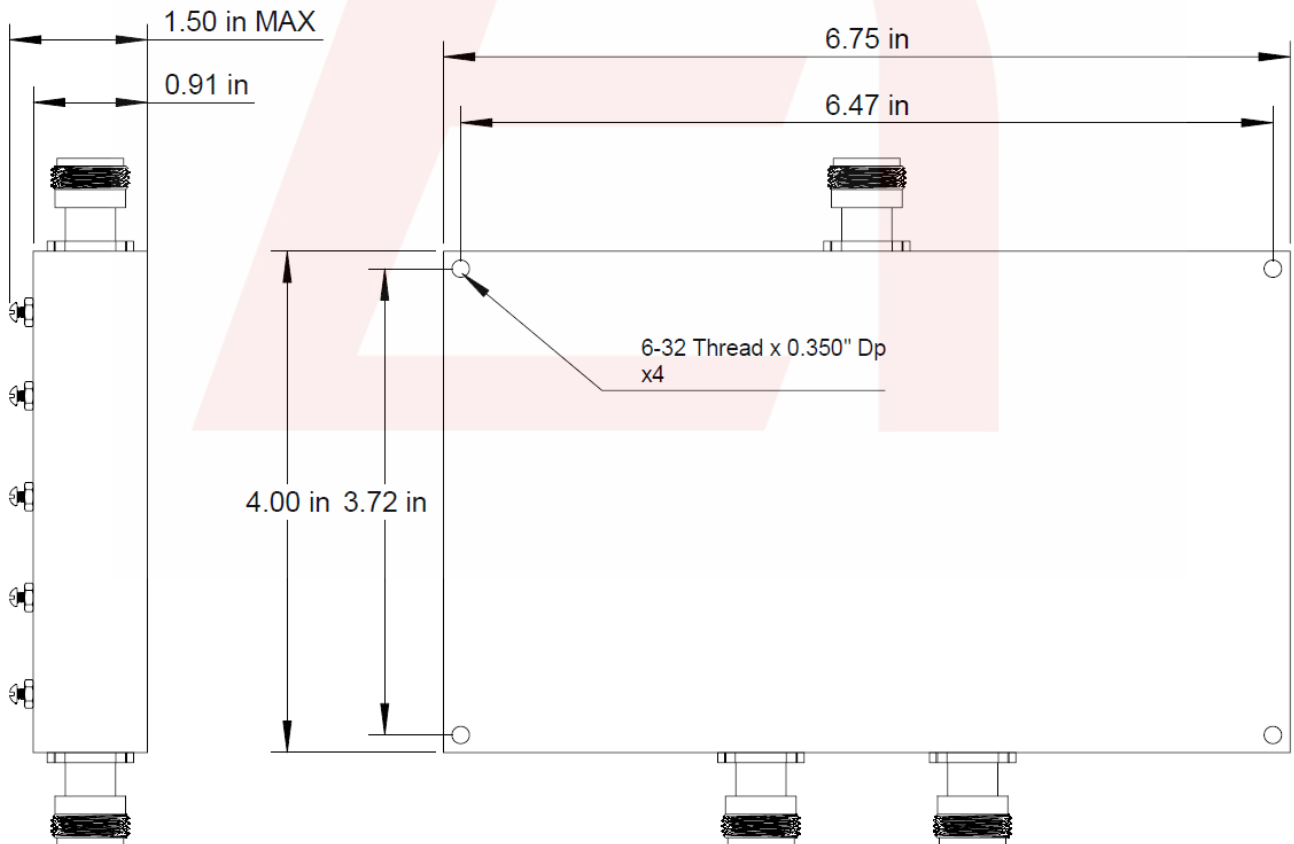


Characteristics	Band 1	Band 2
Passband:	2401-2423 MHz	2451-2473 MHz
Bandwidth:	22 MHz	22 MHz
Passband Return Loss:	> 15 dB	> 15 dB
Passband Insertion Loss:	< 3 dB	< 3 dB
Passband Ripple:	0.2 dB	0.2 dB
Input / Output Impedance:	50 Ohms	50 Ohms
Isolation:	> 75 dB	> 75 dB
Power Handling:	25 Watts	25 Watts

Mechanical	
Mounting Method:	6-32 Threaded Mounting Holes
Connector Type:	N-Type (F)
Dimensions:	6.75 x 4.0 x 1.50 Inches

Environmental	
Operating Temperature:	-40 to +70 deg.C
Storage Temperature:	-50 to +90 deg.C

Outline Drawing:



DS-D246-02192018-Rev0



Response Plots:

