



**ANATECH ELECTRONICS INC**  
RF & Microwave Filters & Products

# 454-464 MHz Cavity Duplexer

**Part Number: AD454-464D275-S**

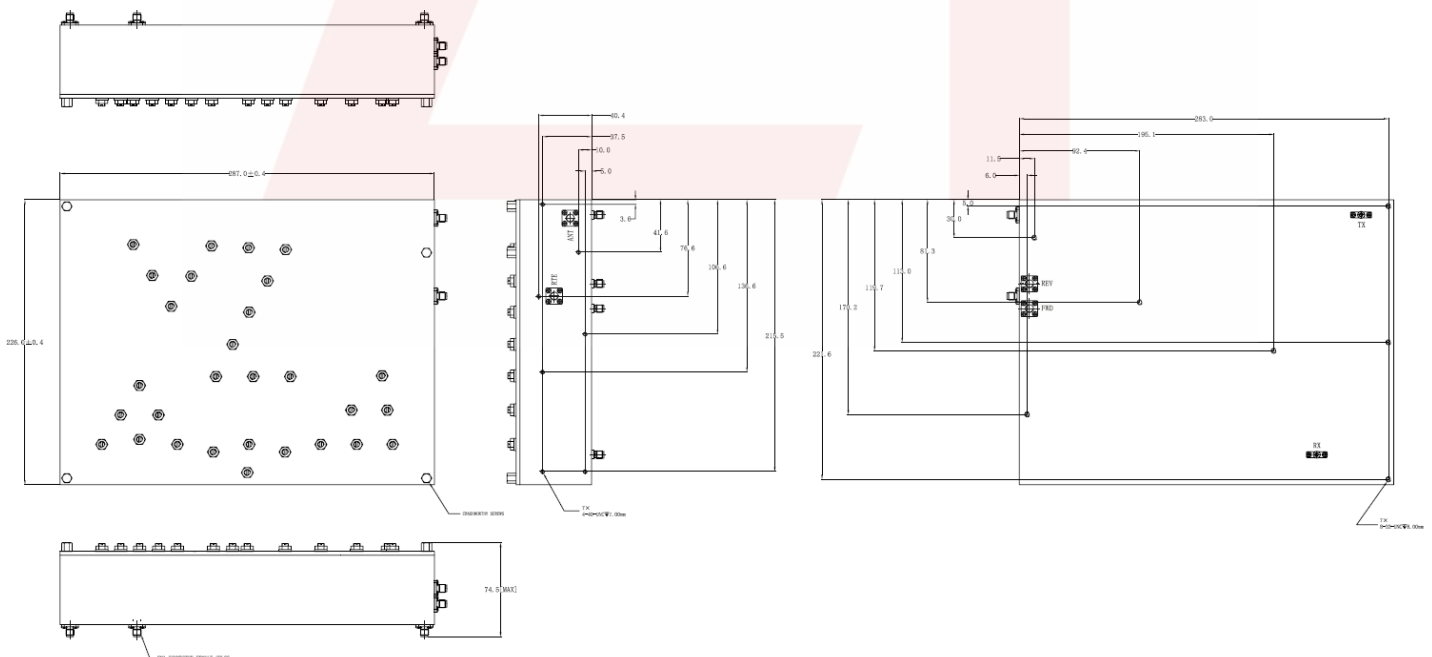


Characteristics	Band 1 (Rx)	Band 2 (Tx)
Frequency:	452.5~457.475 MHz	462.5~467.745 MHz
Insertion loss:	1.5 dB	1.5 dB
Return loss:	19 dB	19 dB
Bandwidth:	1.0 dB	1.0 dB
Rejection:	60 dB@462.5~467.475 MHz	60 dB@452.5~475.475 MHz
RTE VS RX	30+/-1.0 dB	
RTE VS Tx	30 +/-1.0 dB	
FWD VS Tx	30+/-0.5 dB	
FWD VS ANT	30+/-0.5 dB	
REV VS RX	55 dB	
REV VS TX	55 dB	

Mechanical	
Mounting Method:	Threaded Mounting Holes
Connector Type:	SMA (F)
Dimensions:	287 x 226 x 65 mm

Environmental	
Operating Temperature:	-40 to +70 deg.C
Storage Temperature:	-50 to +90 deg.C

## Outline Drawing:





**ANATECH ELECTRONICS INC**  
RF & Microwave Filters & Products

**454-464 MHz  
Cavity Duplexer  
Part Number: AD454-464D275-S**



## Response Plot

5/21/2021 12:35:24 PM

