



**Electrical Specifications**

**Cutoff Frequency (Fc):** 0.8 MHz  
**Passband:** 0.8-3 MHz  
**Insertion Loss:** 0.5dB Max.  
**Passband Return Loss:** 15dB Min.  
**Rejection:** 49 dB Min. @ 0-310 KHz

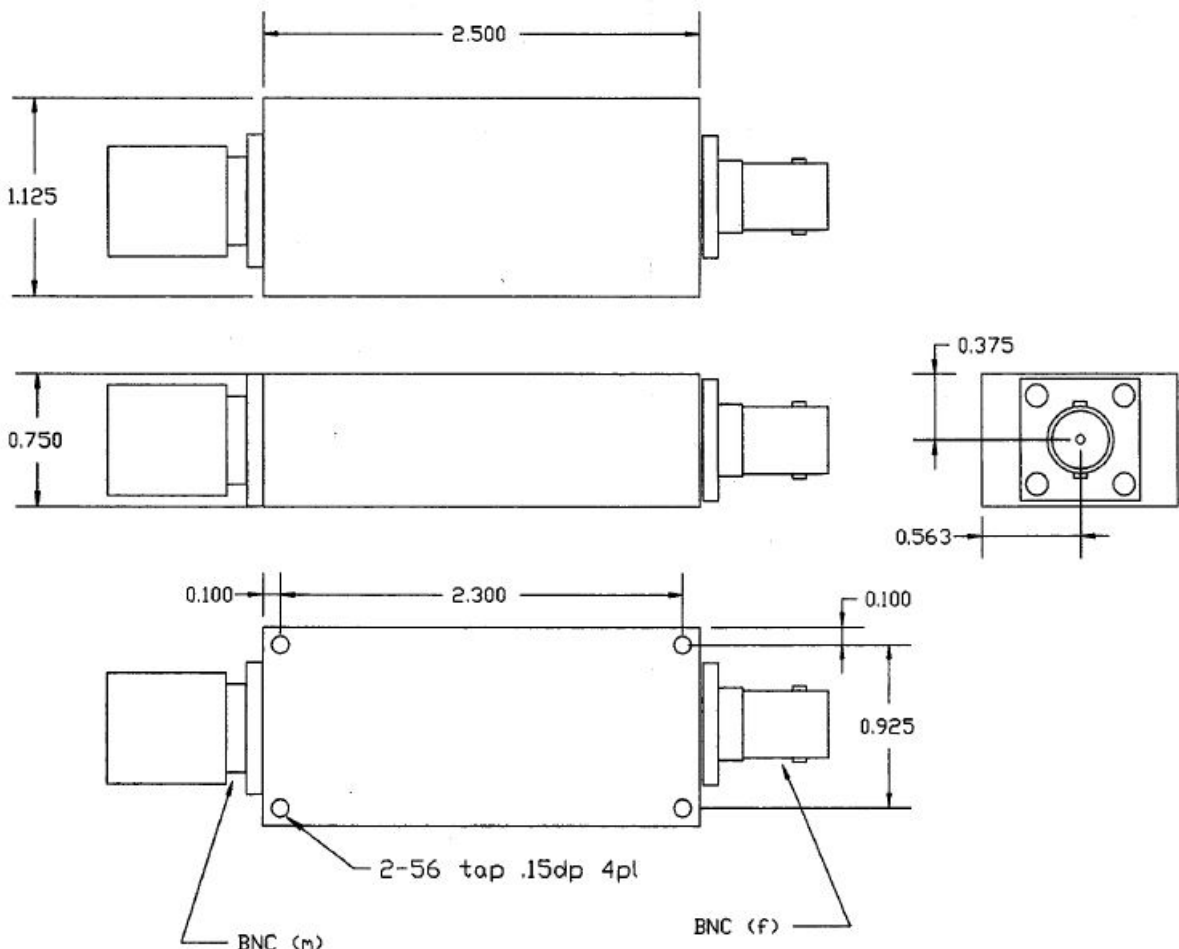
**Mechanical**

**Connector Type:** BNC(M) & BNC(F)  
**Dimensions:** 2.5" x 1.125" x 0.75"

**Environmental**

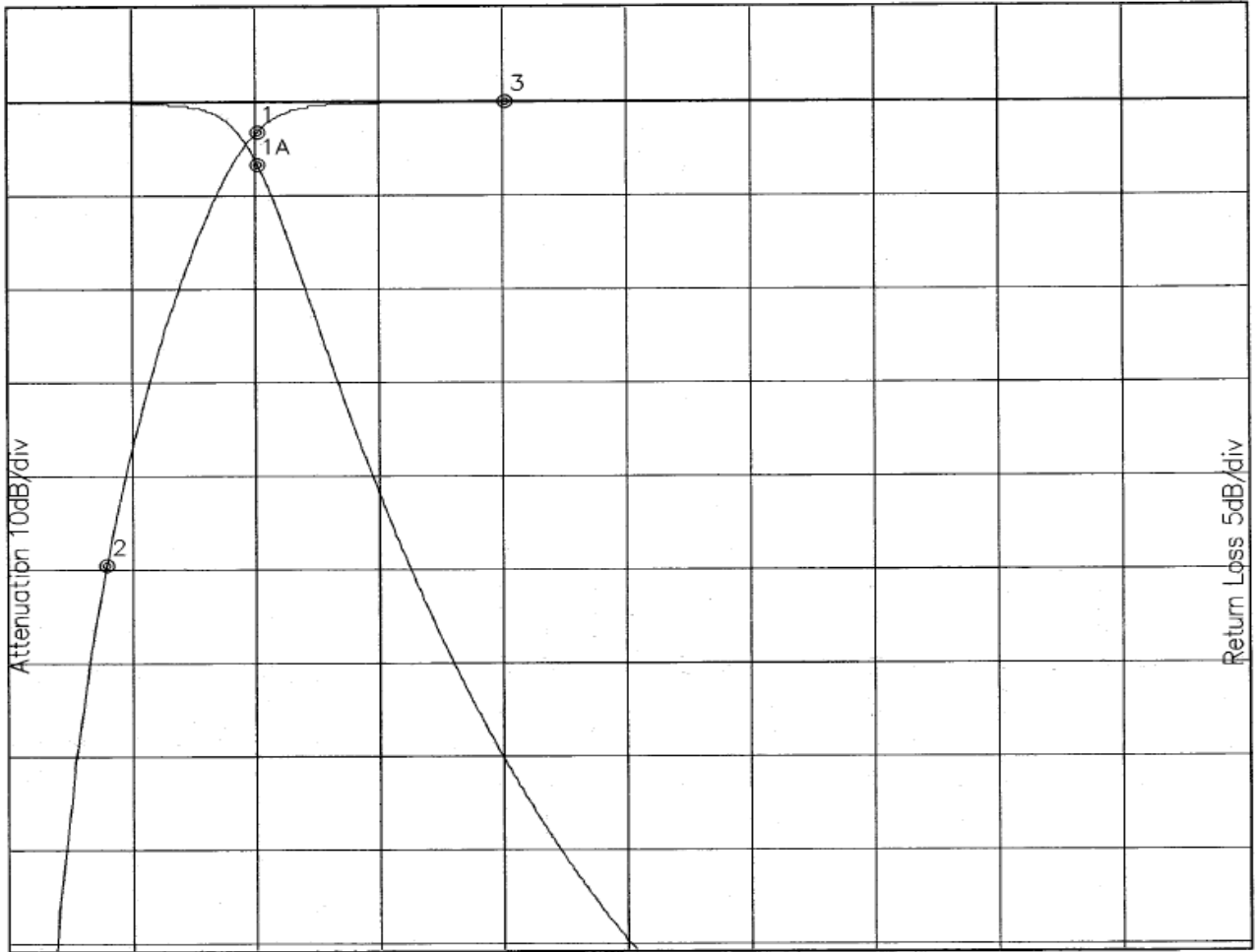
**Operating Temperature:** -25°C to +70°C  
**Storage Temperature:** -40°C to +90°C  
**Shock:** 10 G. 11ms  
**Vibration:** 10 G. 5 to 200Hz

**Outline Drawing:**





### Simulation Plot :



Attenuation Start: 0.0Hz Stop: 4.0MHz

Return Loss Start: 0.0Hz Stop: 4.0MHz

Marker 1 Freq 801.29kHz Atten -3.167dB  
Marker 2 Freq 310.17kHz Atten -49.487dB  
Marker 3 Freq 1.603MHz Atten -0.038dB

Marker 1A Freq 801.29kHz Ret Loss -3.331dB