



**ANATECH ELECTRONICS INC**  
RF & Microwave Filters & Products

# 1000-2000 MHz Tunable Band Pass Filter

**Part Number: AE1000-2000TB118**



## Electrical specifications

**Frequency range:** 1000-2000MHz  
**Type:** 5 section  
**Passband Insertion loss:** 1.3 dB max  
**3 dB bandwidth:** 5%  
**VSWR:** 1.5:1  
**Dial Accuracy:** +/- 1%  
**Shape factor:**  
 30 dB to 3 dB 2.2:1  
 50 dB to 3 dB 3.5:1  
**Power handling:** 50 Watts CW  
**Impedance:** 50 Ohms

## Mechanical

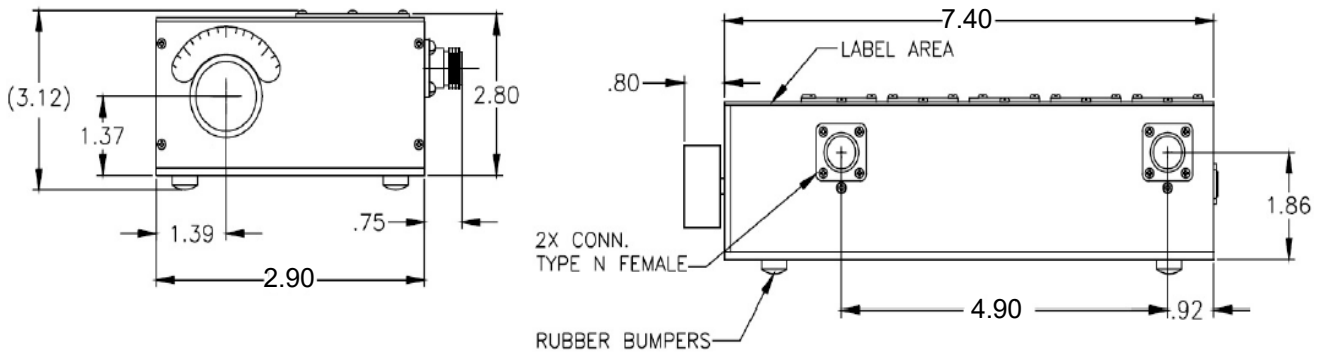
**Mounting Method:** Threaded Mounting  
**Holes Connector Type:** N-Type Female  
**Dimensions:** 7.4" x 2.9" x 2.8" in

## Environmental

**Operating Temperature:** -45 to +85° C  
**Storage Temperature:** -55 to +95° C !!  
**Shock:** 20 G. 11ms  
**Vibration:** 20 G. 5 to 200 Hz

\*Manual Frequency selection

## Outline Drawing:



Tolerance: +/-0.01 inches [+/- 0.3mm]

Angles: +/- 1 Deg.

\*Tolerance as shown unless otherwise specified in the datasheet electrical specification tables above.

\*When max dimensions are called out the above tolerances do not apply as long as it is under the max call out.