



ANATECH ELECTRONICS INC
RF & Microwave Filters & Products

1010 MHz Cavity Band Pass Filter

Part Number: AE1010B12013



Electrical Specifications

Center Frequency: 1010 MHz
Passband: 960 – 1060 MHz
Insertion Loss: 1.8 dB Max.
Return Loss: 15 dB Min
Rejection: 45 dB Min @ 930 MHz
Rejection: 45 dB Min @ 1090 MHz
Impedance: 50 Ohms In/Out
Power Handling: 50 W CW

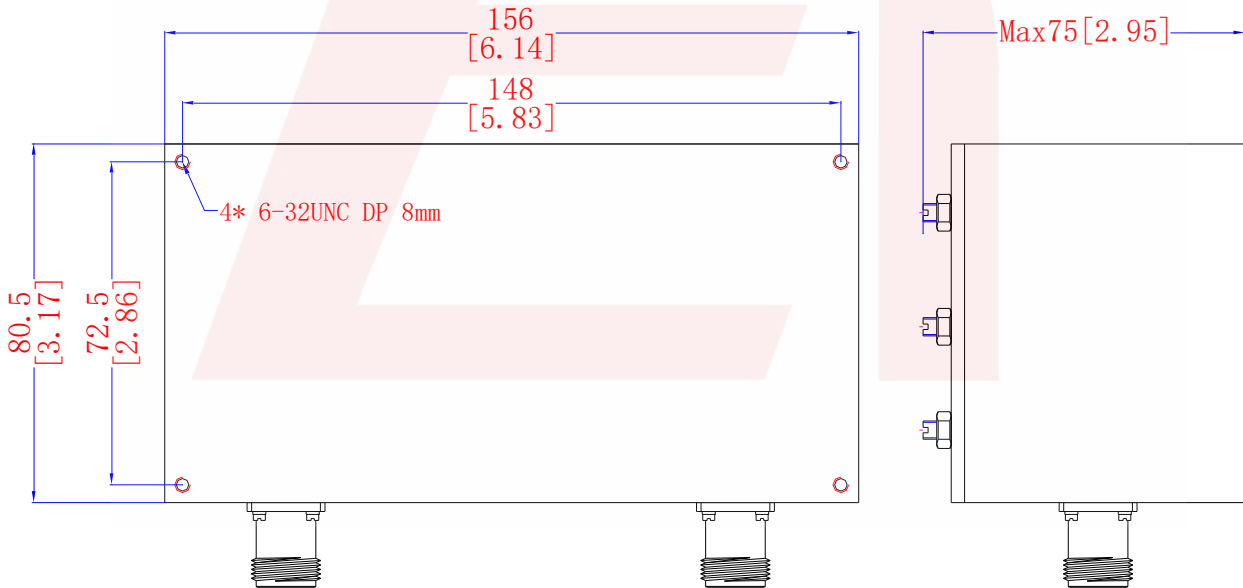
Mechanical

Connector Type: N-Type Female
Dimensions : 6.14 x 3.17 x 2.95 in.
 156 x 80.5 x 75 mm

Environmental

Operating Temperature: -40°C to +70°C
Storage Temperature: -55°C to +85°C
Shock: 20 G. 11ms
Vibration: 20 G. 5 to 200Hz

Outline Drawing:



Outline Tolerances ± 0.3 (0.012)

*Tolerance as shown unless otherwise specified in the datasheet electrical specification tables above.

*When max dimensions are called out the above tolerances do not apply as long as it is under the max call out.

DS-B12013-05102023-Rev0

70 Outwater Lane Phone: (973) 772-4242
Garfield, NJ 07026 Fax : (973) 321-3941

Email: sales@anatechelectronics.com
Web: www.anatechelectronics.com