



ANATECH ELECTRONICS INC
RF & Microwave Filters & Products

10160 MHz Cavity Bandpass Filter

Part Number: AE10160B6878



Electrical Specifications

Center Frequency: 10160 MHz
0.5-dB Bandwidth: 30 MHz
Impedance: 50 Ohms
Insertion Loss: ≤ 1.5 dB
Rejection : ≥ 50 dB @ 2500 MHz
Rejection2 : ≥ 70 dB @ 11000 MHz
Rejection3 : ≥ 90 dB @ 12000 MHz to 24000 MHz
VSWR: $< 1.5:1$

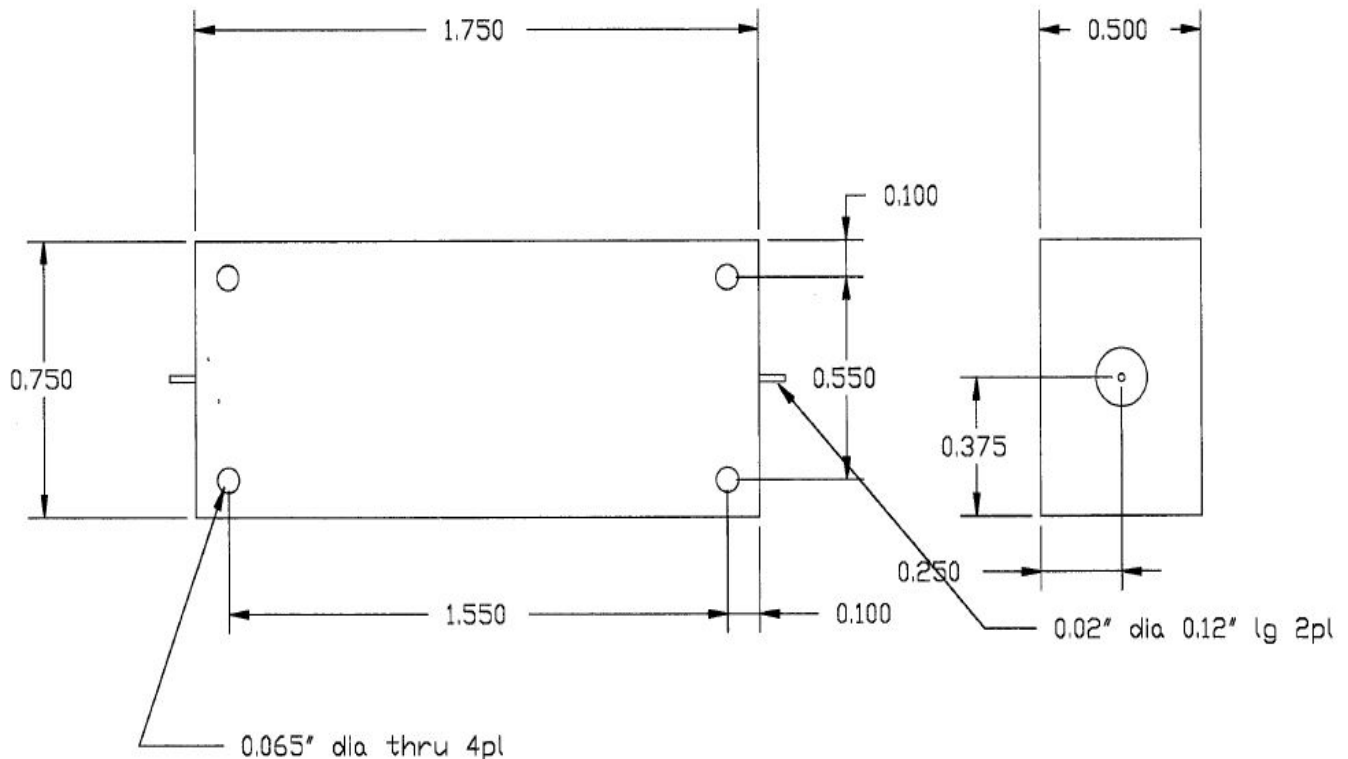
Mechanical

Mounting Method: Drop-in Through holes
Dimensions: 1.75" X 0.75" x 0.5" in.

Environmental

Operating Temperature: -40°C to $+70^{\circ}\text{C}$
Storage Temperature: -25°C to $+90^{\circ}\text{C}$
Shock: 20 G. 11ms
Vibration: 20 G. 5 to 200Hz

Outline Drawing:





ANATECH ELECTRONICS INC
RF & Microwave Filters & Products

10160 MHz Cavity Bandpass Filter

Part Number: AE10160B6878

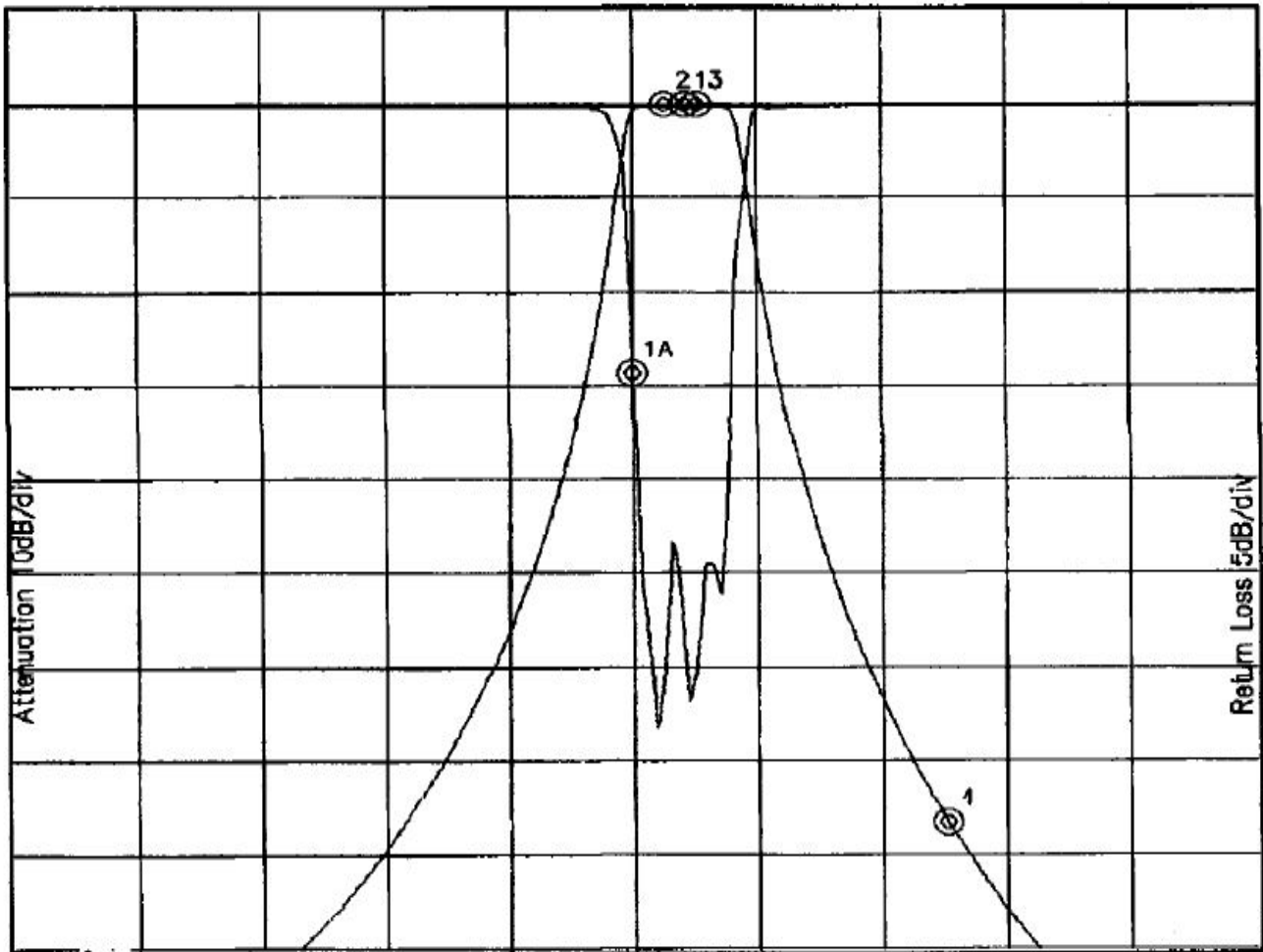


Response Plot:

ANATECH ELECTRONICS 10.160GHz BPF P/N B6878

JAN 14, 2004

Attenuation/Return Loss



Attenuation Start: 8.0GHz Stop: 12.0GHz

Return Loss Start: 8.0GHz Stop: 12.0GHz

Offset -1.0869dB

Marker 1 Freq 10.165GHz Atten 0.103dB

Marker 1A Freq 9.997GHz Ret Loss -14.453dB

Marker 2 Freq 10.10GHz Atten 0.050dB

Marker 3 Freq 10.204GHz Atten 0.053dB

Marker 4 Freq 11.005GHz Atten -76.937dB