



ANATECH ELECTRONICS INC
RF & Microwave Filters & Products

113 MHz LC Bandpass Filter

Part Number: AE113B5205



Electrical Specifications

Center Frequency: 113 MHz
Passband: 107.975 MHz to 117.975 MHz
Insertion Loss: <9.5dB
VSWR: 2.5:1
Rejection: >65dB @ 0-90 MHz
Rejection2: >25dB @ 104 MHz
Rejection3: >65dB @ 118MHz to 1215 MHz
Impedance: 50 Ohms

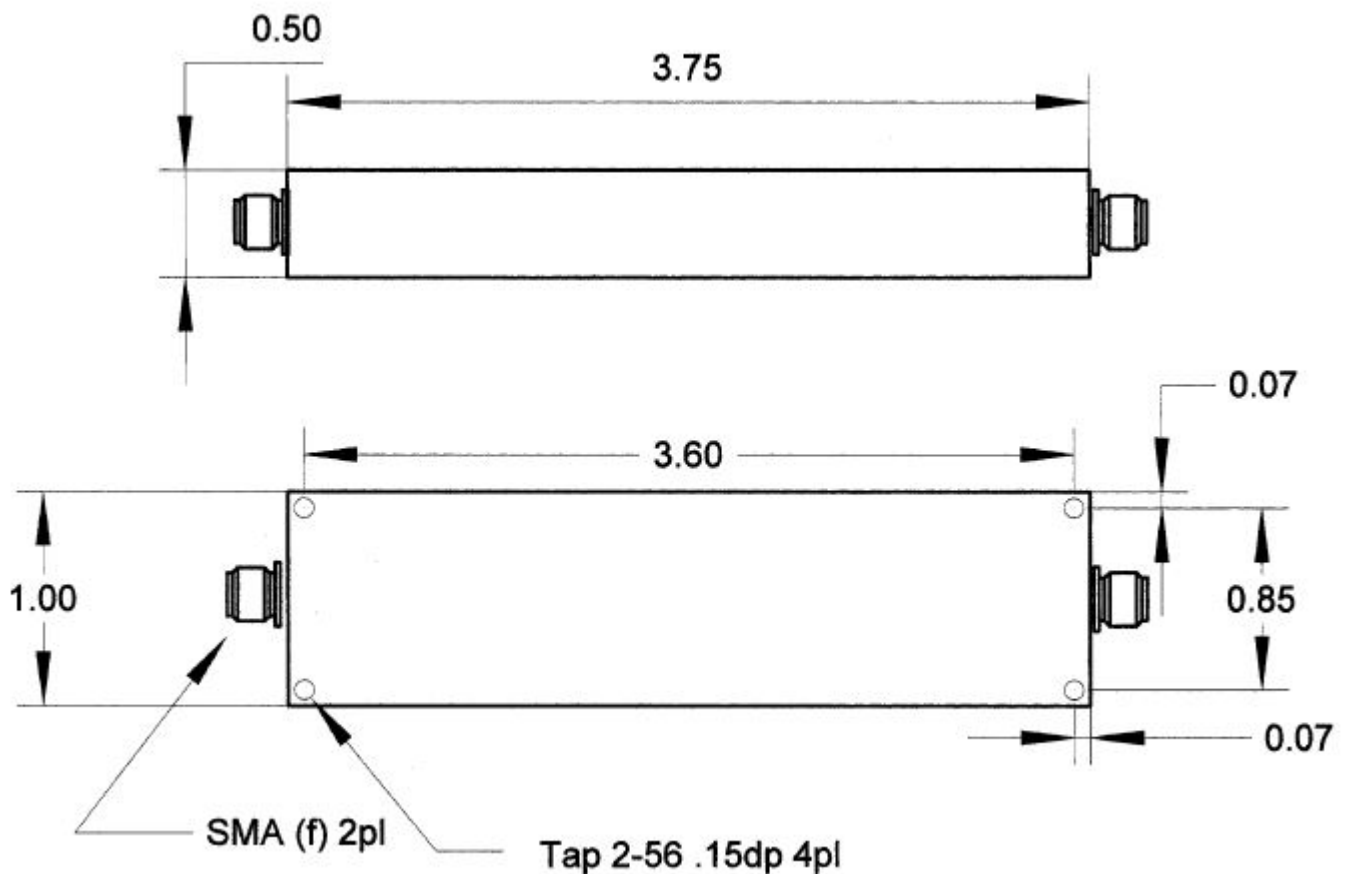
Mechanical

Mounting Method: Through Holes
Connector Type: SMA(F)
Dimensions: 3.75" x 1.0" x 0.5" in.

Environmental

Operating Temperature: -25°C to +70°C
Storage Temperature: -40°C to +90°C
Shock: 10 G. 11ms
Vibration: 10 G. 5 to 200Hz

Outline Drawing:



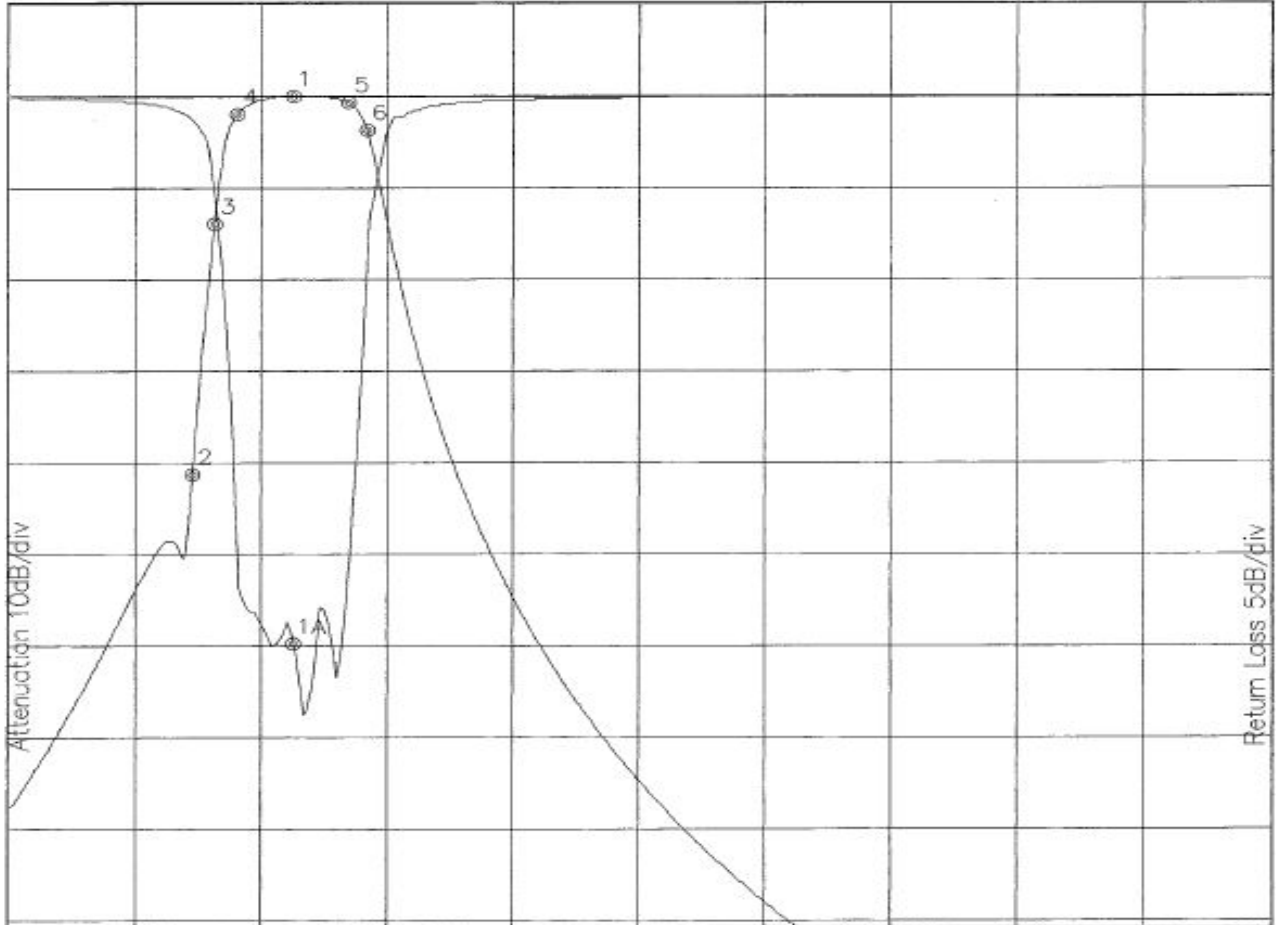


Response Plot:

A0146.lad

MAR 3, 1999

Attenuation/Return Loss



Attenuation Start: 88.0MHz Stop: 200.0MHz

Return Loss Start: 88.0MHz Stop: 200.0MHz

Offset -2.826dB

- Marker 1 Freq 113.15MHz Atten 0.067dB
- Marker 2 Freq 104.10MHz Atten -41.348dB
- Marker 3 Freq 106.09MHz Atten -13.919dB
- Marker 4 Freq 108.08MHz Atten -1.885dB
- Marker 5 Freq 118.03MHz Atten -0.706dB
- Marker 6 Freq 119.66MHz Atten -3.796dB
- Marker 7 Freq 170.50MHz Atten -101.192dB

Marker 1A Freq 113.15MHz Ret Loss -29.881dB