



Electrical Specifications

Passband: DC – 12000 MHz
Insertion loss: 1.0 dB Max
VSWR: 1.8 Max
Rejection: 70 dB Min @ 17000 – 36100 MHz
Impedance: 50 Ohms In/Out
Power Handling: 100 W Max

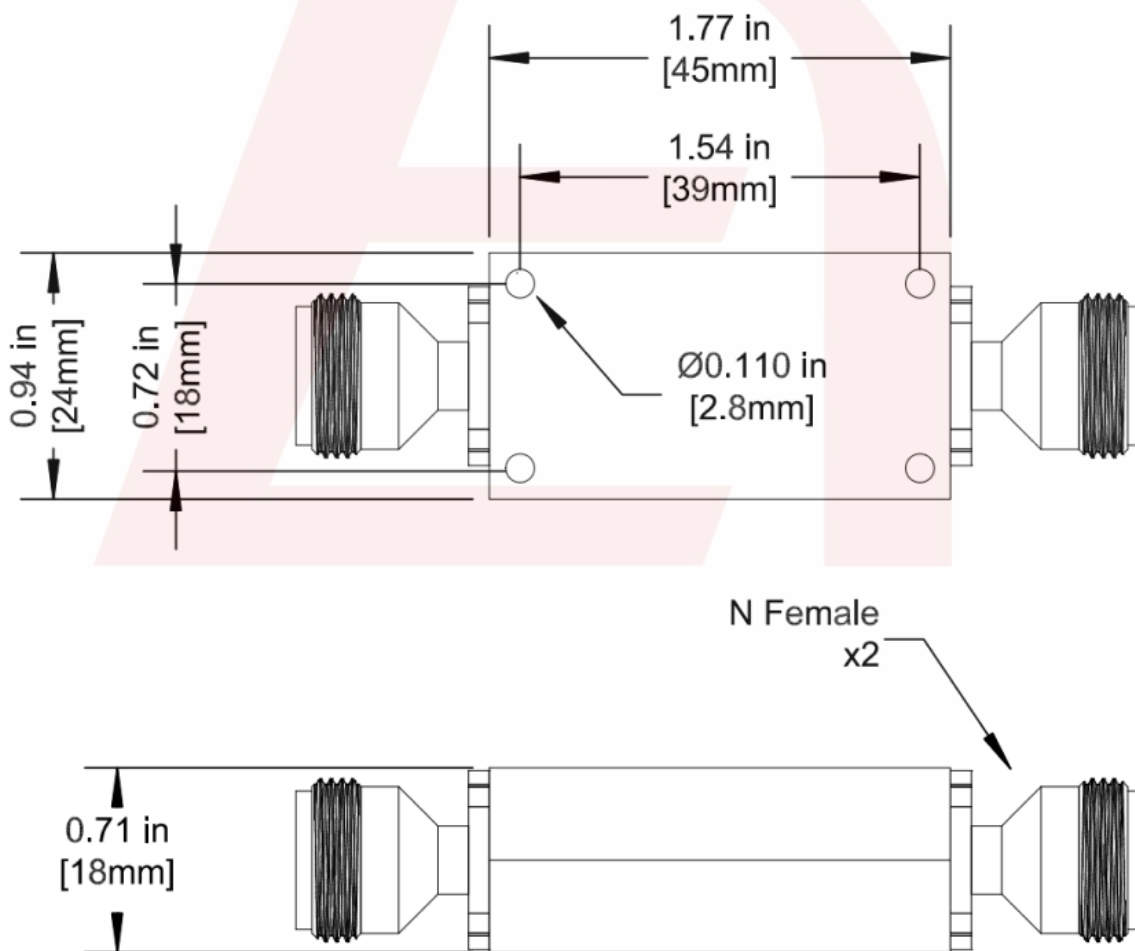
Mechanical

Connector Type: N-Type Female
Dimensions: 1.77 x 0.94 x 0.71 Inches
45 x 24 x 18 mm

Environmental

Operating Temperature: -45 to +85 C
Storage Temperature: -55 to +95° C
Shock: 10 G. 11 ms
Vibration: 10 G. 5 to 200 Hz

Outline Drawing:





Simulation Plot:

