



**ANATECH ELECTRONICS INC**  
RF & Microwave Filters & Products

# 1255 MHz Cavity Bandpass Filter

Part Number: AE1255B4769



## Electrical Specifications

**Center Frequency:** 1255 MHz  
**Bandwidth:** 25 MHz  
**Passband :** 1242 MHz to 1267 MHz  
**Ripple:** 0.5dB @ 1242 MHz to 1267 MHz  
**Rejection:** >50dB @ 1270 MHz to 2500 MHz  
**Impedance:** 50 Ohms  
**Power Handling:** <1 Watt

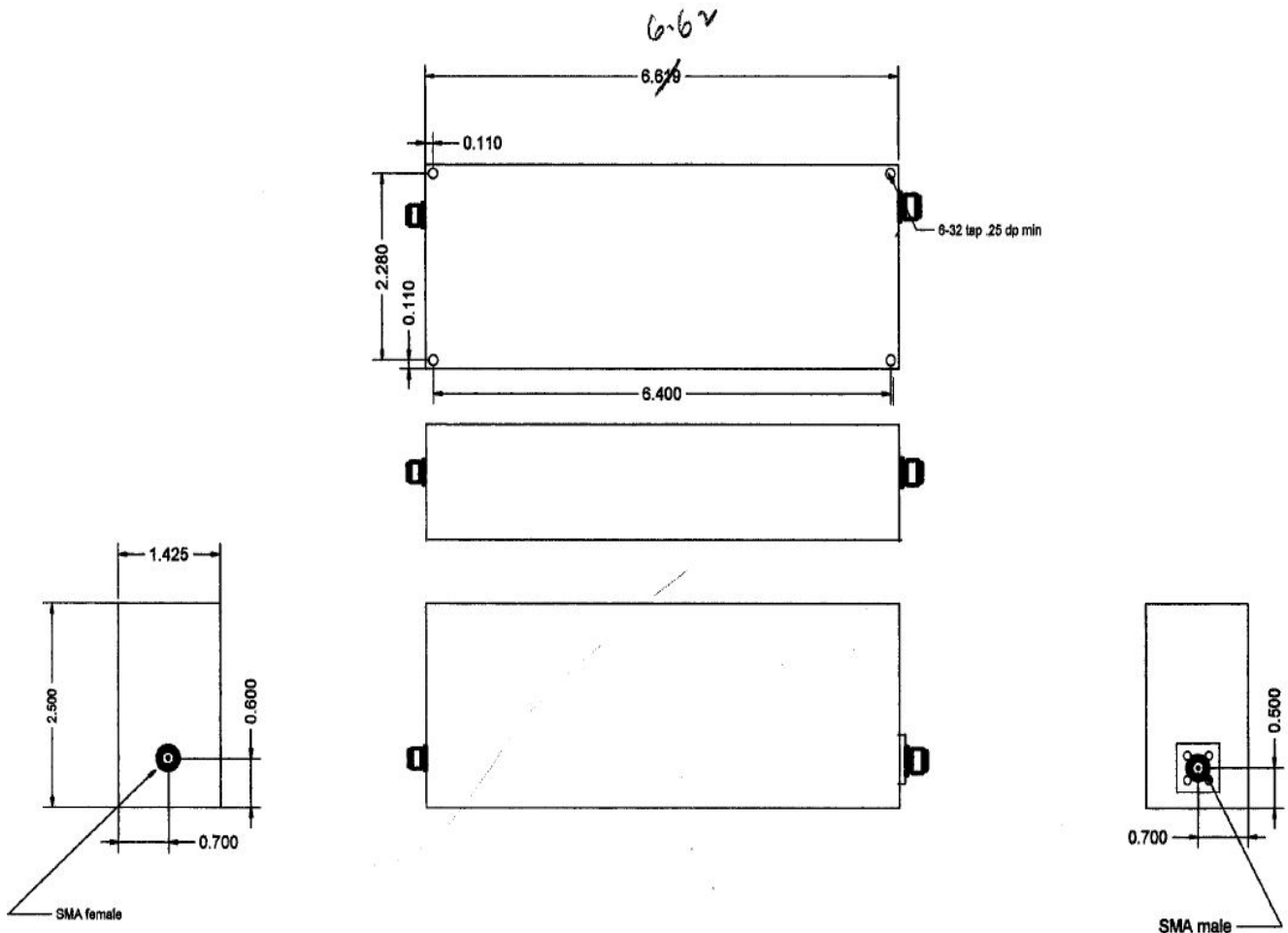
## Mechanical

**Mounting Method:** Threaded Mounting Holes  
**Connector Type:** SMA(F) & SMA(M)  
**Dimensions:** 6.62" X 2.5" x 1.425" in.

## Environmental

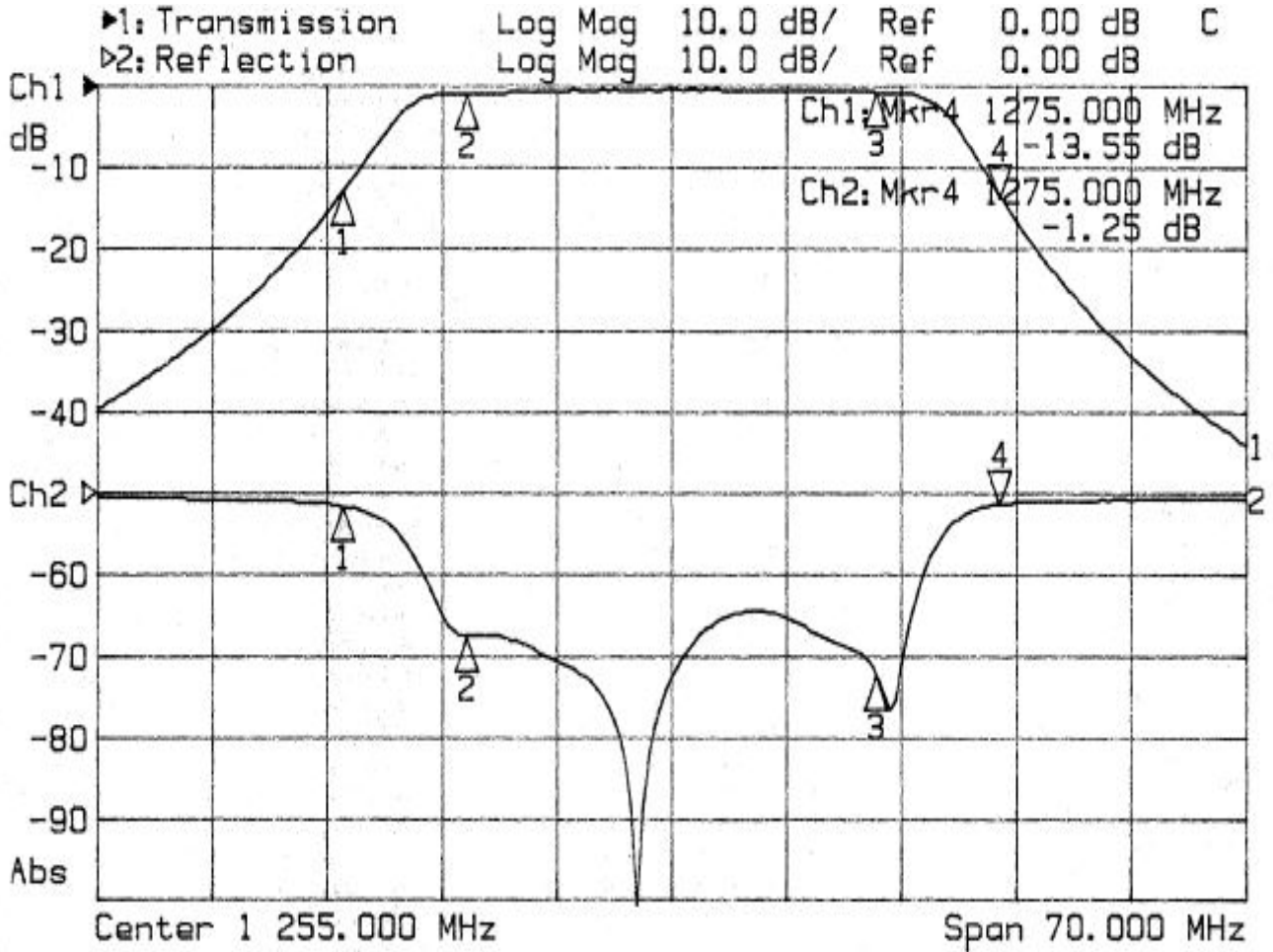
**Operating Temperature:** -25°C to +70°C  
**Storage Temperature:** -40°C to +90°C  
**Shock:** 20 G. 11ms  
**Vibration:** 20 G. 5 to 200Hz

## Outline Drawing:





**Response Plot:**



Marker	Freq (MHz)	Ch 1 (dB)	Ch 2 (dB)
1	1235.000	-13.04	-1.70
2	1242.500	-1.01	-17.59
3	1267.500	-0.78	-22.35
4	1275.000	-13.55	-1.25
5			
6			
7			
8			