



ANATECH ELECTRONICS INC
RF & Microwave Filters & Products

125 MHz LC Highpass Filter

Part Number: AE125H9779



Electrical Specifications

Cutoff Frequency (Fc): 125 MHz
Passband: 125-1000 MHz
Passband Insertion Loss: 0.5 dB Max
Return Loss: 15 dB Min
Rejection: 30 dB Min@0-100 MHz
Power Handling: 100 W CW

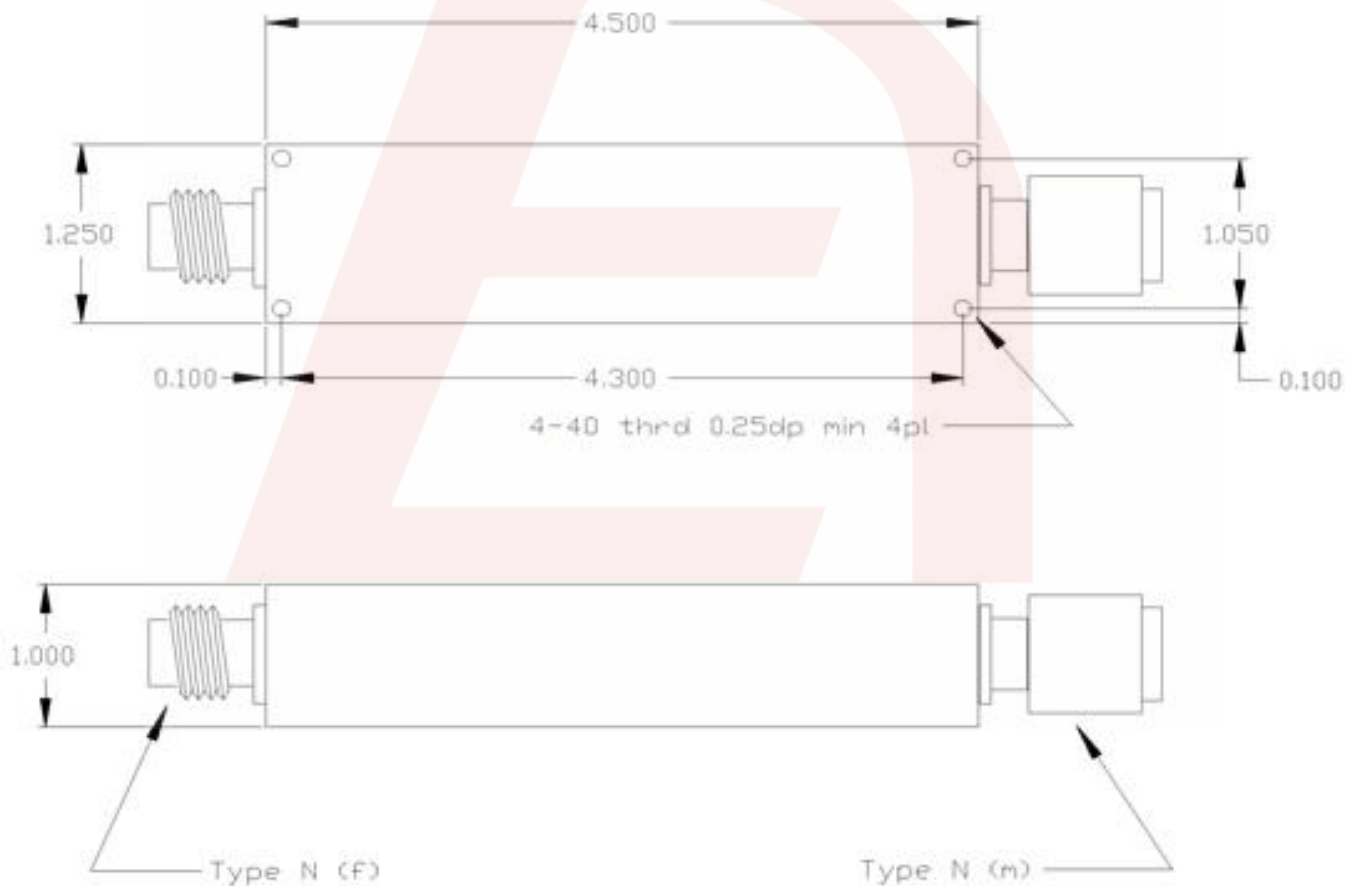
Mechanical

Mounting Method: Threaded Holes
Connector Type: N (M/F)
Dimensions: 4.5 x 1.25 x 1 in

Environmental

Operating Temperature: -40°C to +70°C
Storage Temperature: -50°C to +90°C

Outline Drawing:



Dwg 988565