



# 127 MHz Cavity Bandpass Filter

Part Number: AE127B11872



## Electrical specifications

**Center Frequency:** 127 MHz

**Passband:** 118 – 136 MHz

**Passband Insertion loss:** 2.0 dB Max

**Return loss:** 15 dB Min

**Rejection:** 40 dB Min @ 97 MHz

40 dB Min @ 152 MHz

**Impedance:** 50 Ohms In/Out

## Mechanical

**Connector Type:** BNC Female

**Dimensions:** 2.50 x 1.125 x 0.75 in.

## Environmental

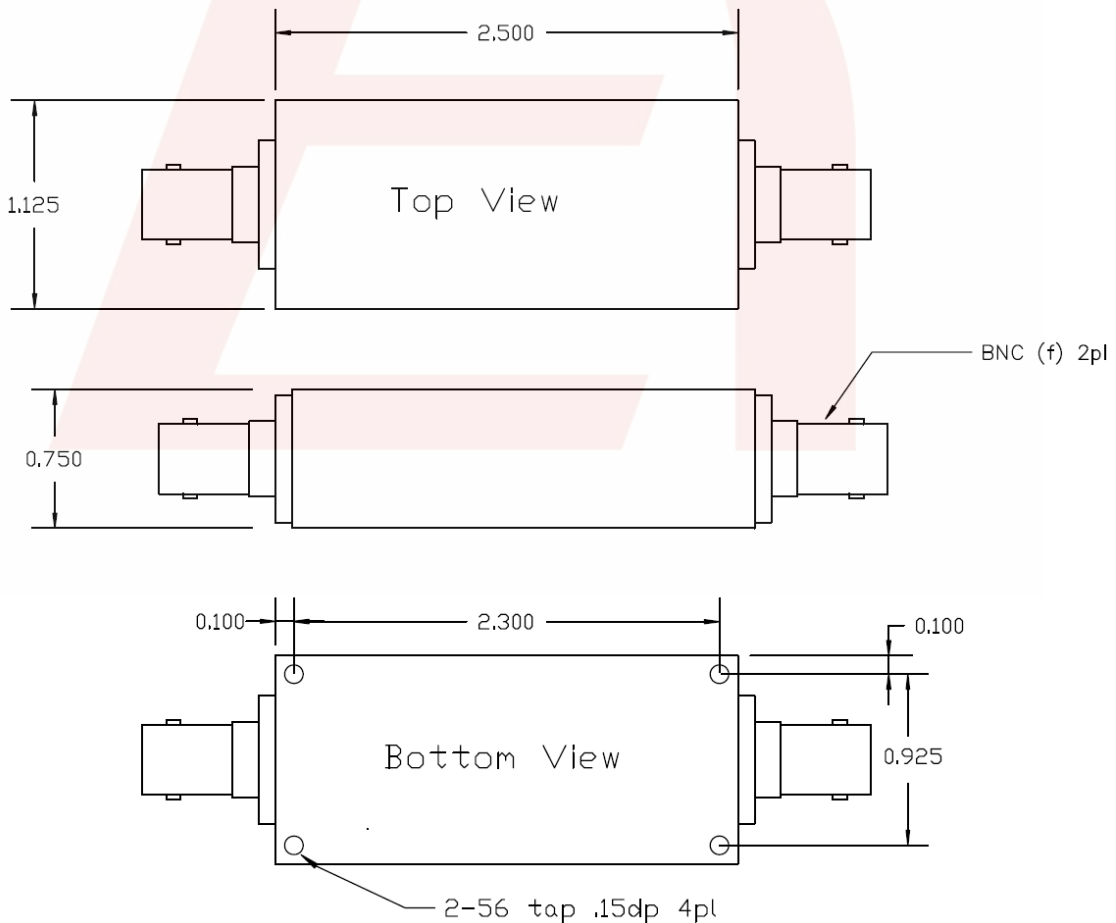
**Operating Temperature:** +45 C ± 85 C

**Storage Temperature:** -55 C to +95° C

**Shock:** 20 G. 11ms

**Vibration:** 20 G. 5 to 200 Hz

## Outline Drawing:



DS-B11872-02022024-Rev0

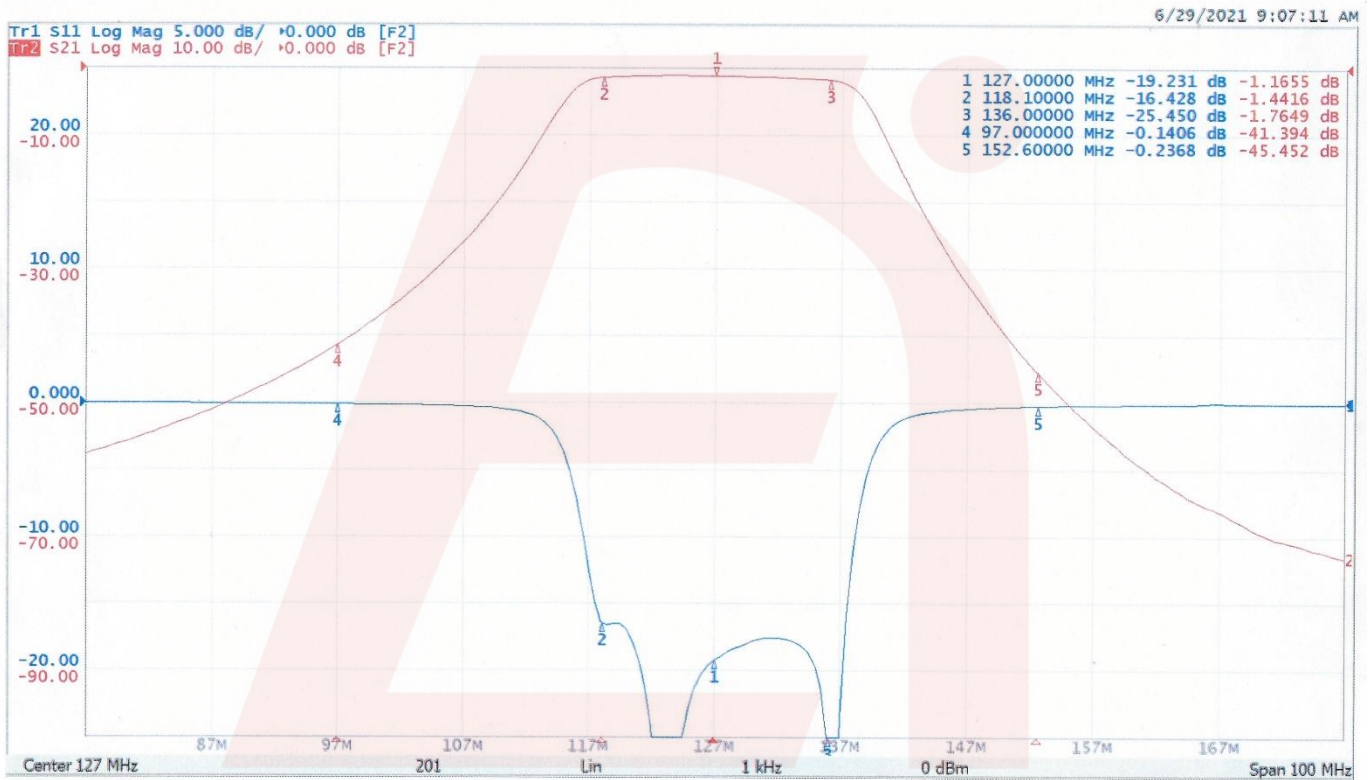


# 127 MHz Cavity Bandpass Filter

Part Number: AE127B11872



## Response Plot:



DS-B11872-02022024-Rev0