



ANATECH ELECTRONICS INC
RF & Microwave Filters & Products

DC-1440MHz / 2200-2500 MHz LC Diplexer

Part Number: AE1440-2200DP5433



Characteristics	Band 1 (RX)	Band 2 (TX)
Passband:	1100 - 1440 MHz	2200-2500 MHz
Cutoff Freq.	1440MHz	2200 MHz
Return Loss:	15 dB Min.	15 dB Min.
Insertion Loss:	0.6 dB Max.	0.5 dB Max.
Isolation	40 dB Min	
Power Handling:	25 Watts	25 Watts
Input / Output Impedance:	50 Ohms	50 Ohms

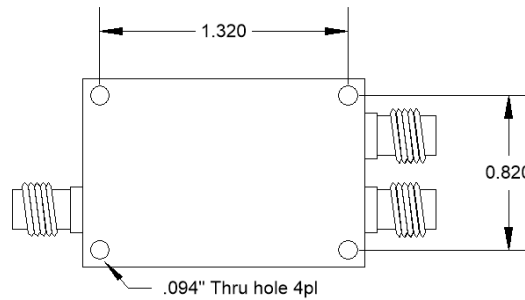
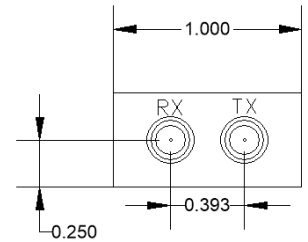
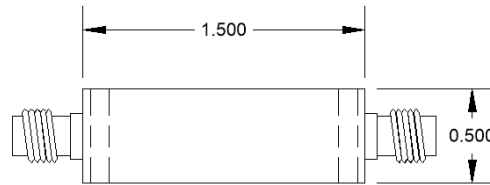
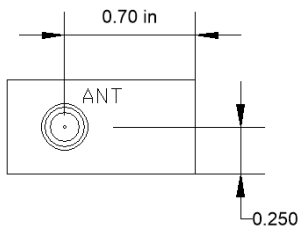
Mechanical

Mounting Method: Thru Holes
Connector Type: SMA (F)
Dimensions: 1.5 x 1.00 x 0.50"

Environmental

Operating Temperature: -40°C to +85°C
Storage Temperature: -50°C to +95°C
Shock: 10 G. 11ms
Vibration: 10 G. 5 to 200Hz

Outline Drawing:



Tolerance: +/-0.01 inches [+/- 0.3mm]

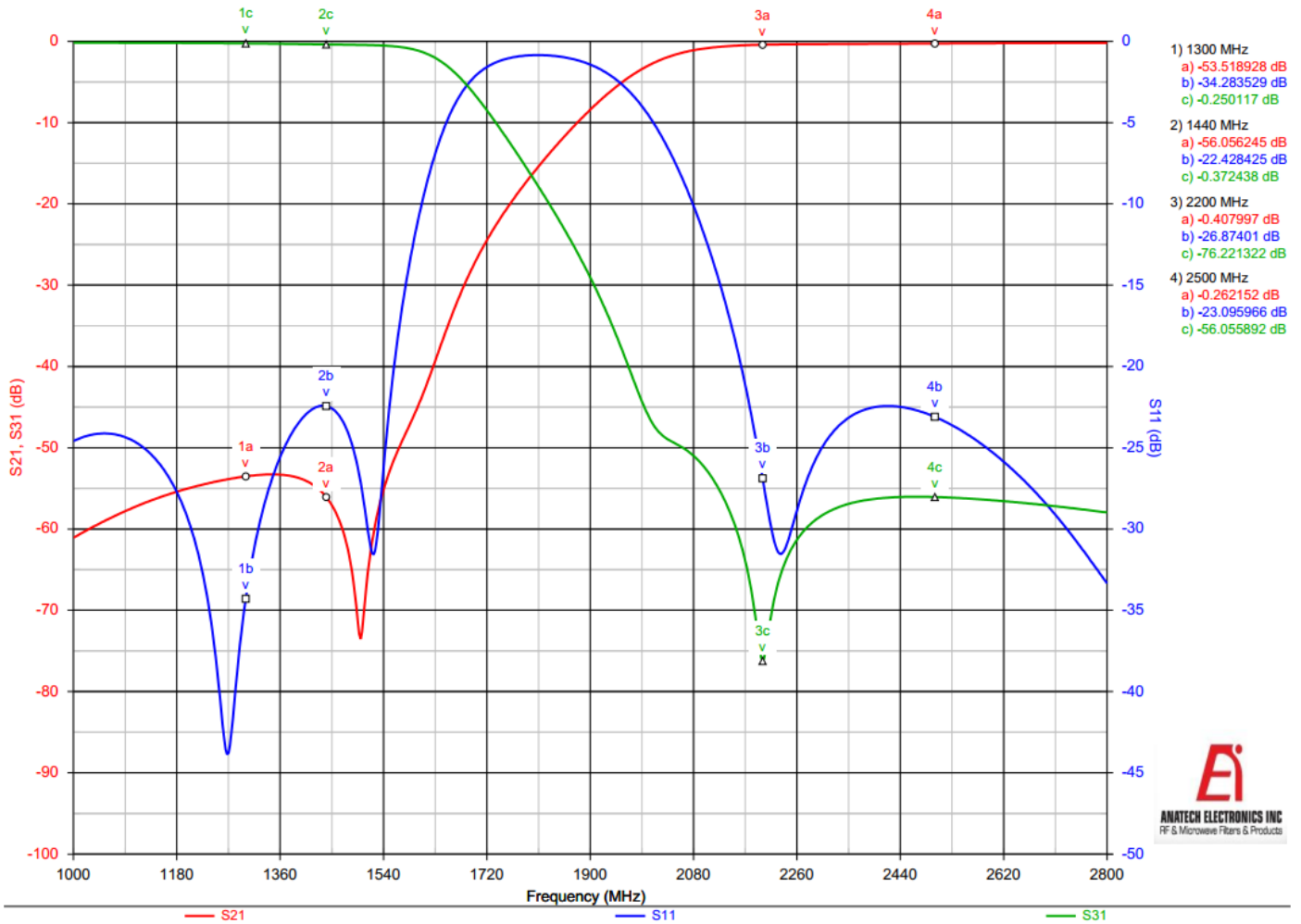
Angles: +/- 1 Deg.

*Tolerance as shown unless otherwise specified in the datasheet electrical specification tables above.

*When max dimensions are called out the above tolerances do not apply as long as it is under the max call out.



Simulated response plot



Tolerance: +/-0.01 inches [+/- 0.3mm]

Angles: +/- 1 Deg.

*Tolerance as shown unless otherwise specified in the datasheet electrical specification tables above.

*When max dimensions are called out the above tolerances do not apply as long as it is under the max call out.