



Ku Band 14400 to 14830 MHz and 15150 to 15350 MHz Duplexer

ANATECH ELECTRONICS INC
RF & Microwave Filters & Products

Part Number: AE14615-15250DB5540

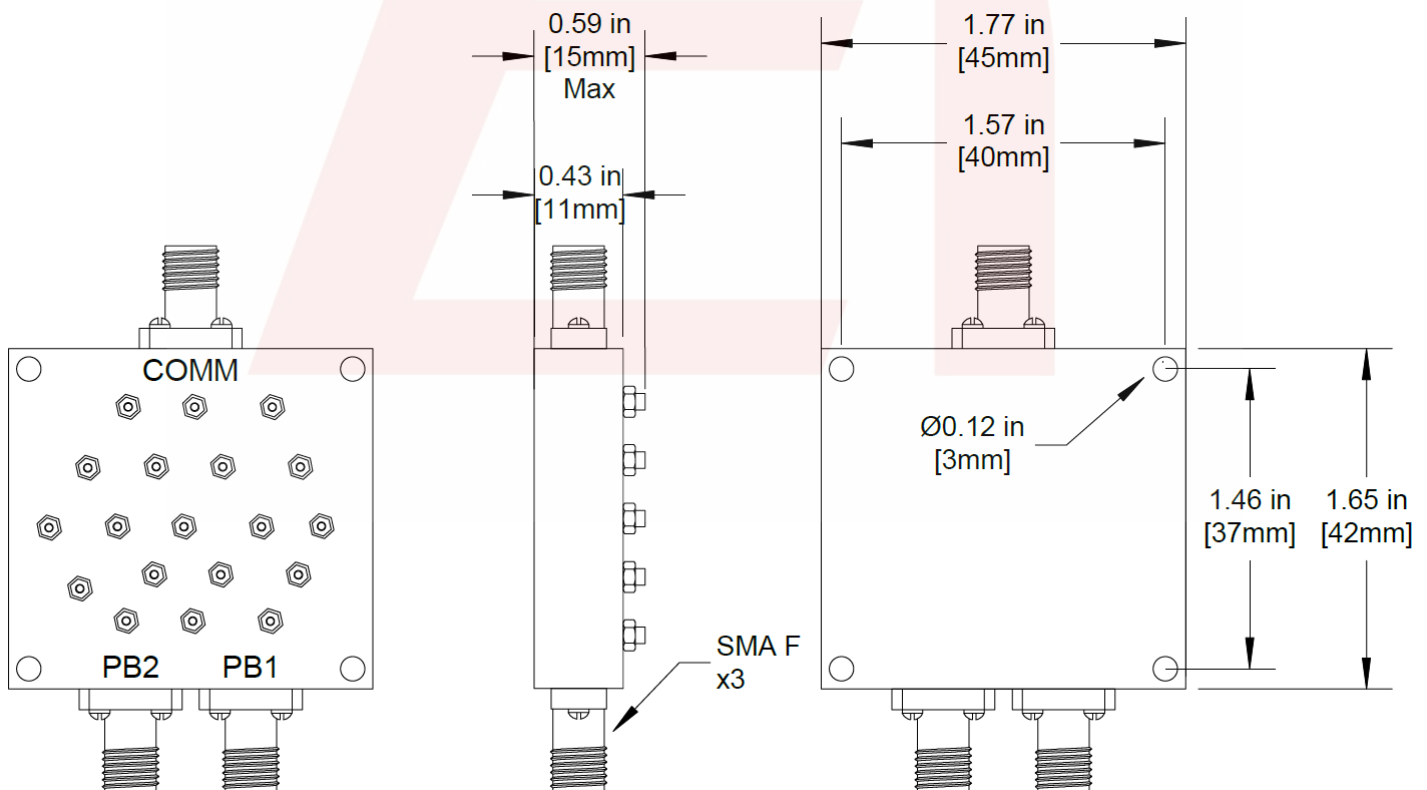


<u>Characteristics</u>	<u>PB1 – Low Band (RX)</u>	<u>PB2 – High Band (TX)</u>
Passband:	14400-14830 MHz	15150-15350 MHz
Bandwidth:	430 MHz	200 MHz
Passband Return Loss:	< -14 dB	< -14 dB
Passband Insertion Loss:	> -2.5 dB	> -2.5 dB
Input / Output Impedance:	50 Ohms	50 Ohms
Rejection:	≥60dB@ 15150-15350 MHz	≥60dB@ 14400-14830 MHz
Power Handling:	20 Watts CW	20 Watts CW

<u>Mechanical</u>	
Mounting Method:	3.2mm Dia Thru Hole
Dimensions:	45 x 42 x 15 mm 1.77 x 1.65 x 0.59 in
Connector Type:	SMA (F)

<u>Environmental</u>	
Operating Temperature:	-40 to +70 deg.C
Storage Temperature:	-50 to +90 deg.C

Outline Drawing:



DS-DB5540-03292023-Rev0