



### Electrical Specifications

**Center Frequency:** 15.6 MHz  
**Bandwidth:** 5.47 MHz  
**Passband :** 13.1 MHz to 18.57 MHz  
**Insertion Loss:**  $\leq 4.0$ dB  
**Return Loss:**  $>14$ dB  
**Rejection:**  $>40$ dB @ 0-10 MHz  
**Rejection2:**  $>40$ dB @ 21 MHz to 200 MHz  
**Impedance:** 50 Ohms

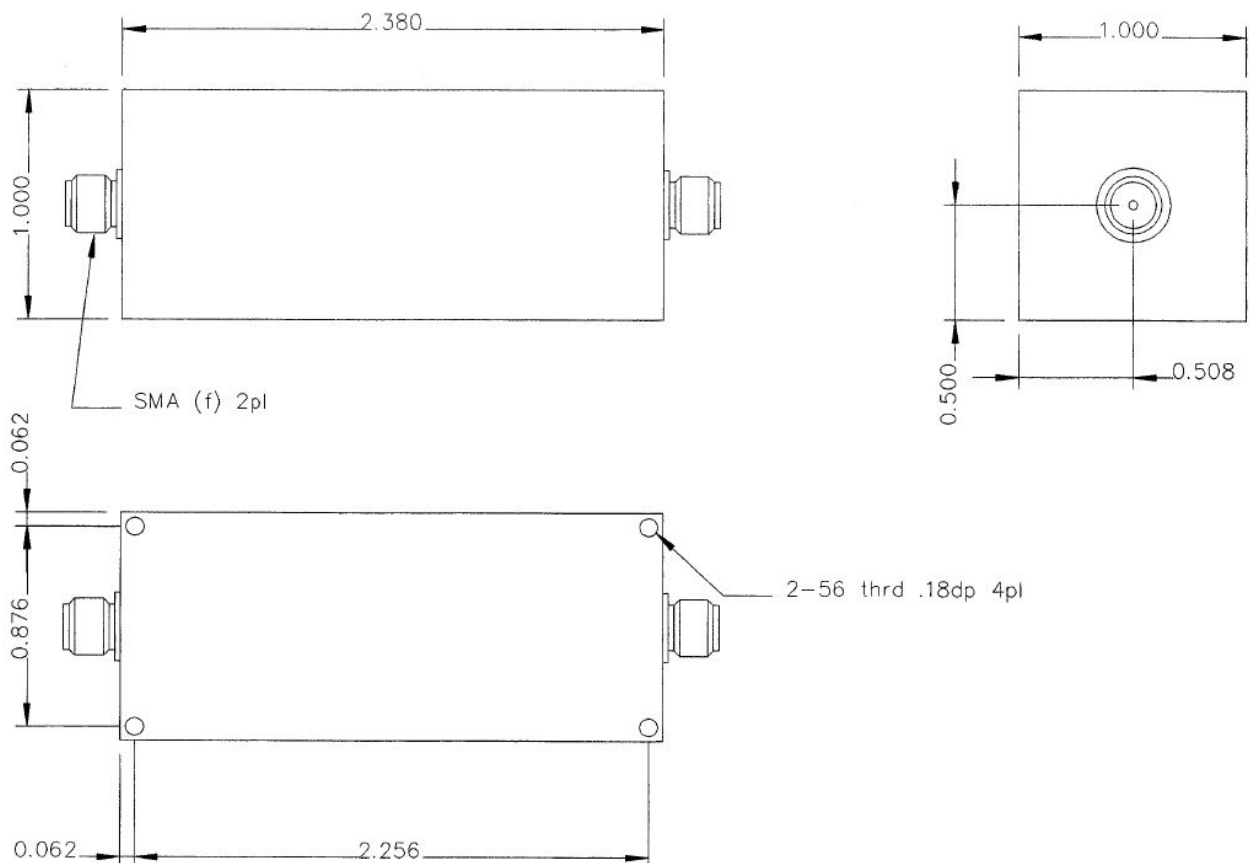
### Mechanical

**Mounting Method:** Threaded Mounting  
**Connector Type:** SMA(F)  
**Dimensions:** 2.38" x 1.00" x 1.00" in.

### Environmental

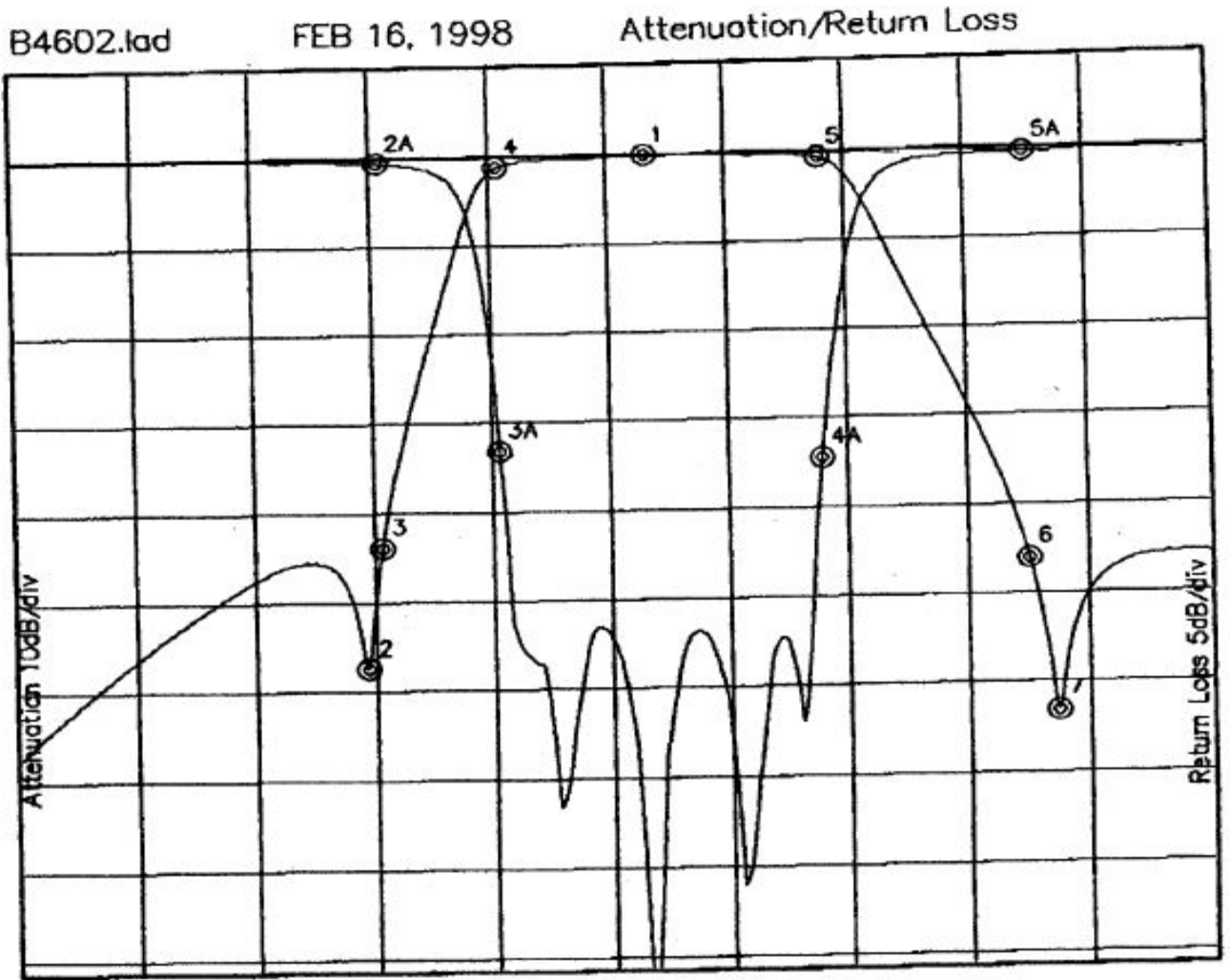
**Operating Temperature:**  $-25^{\circ}\text{C}$  to  $+70^{\circ}\text{C}$   
**Storage Temperature:**  $-40^{\circ}\text{C}$  to  $+90^{\circ}\text{C}$   
**Shock:** 10 G. 11ms  
**Vibration:** 10 G. 5 to 200Hz

### Outline Drawing:





**Response Plot:**



Attenuation Start: 5.0MHz    Stop: 25.0MHz

Return Loss Start: 5.0MHz    Stop: 25.0MHz

Offset -0.6521dB

- Marker 1 Freq 15.630MHz Atten -0.062dB
- Marker 2 Freq 10.848MHz Atten -57.239dB
- Marker 3 Freq 11.107MHz Atten -43.603dB
- Marker 4 Freq 13.110MHz Atten -1.153dB
- Marker 5 Freq 18.570MHz Atten -0.699dB
- Marker 6 Freq 21.995MHz Atten -45.762dB
- Marker 7 Freq 22.447MHz Atten -62.909dB

- Marker 1A Freq 15.630MHz Ret Loss -47.479dB
- Marker 2A Freq 11.107MHz Ret Loss -0.263dB
- Marker 3A Freq 13.110MHz Ret Loss -16.476dB
- Marker 4A Freq 18.570MHz Ret Loss -17.165dB
- Marker 5A Freq 21.995MHz Ret Loss -0.192dB