



ANATECH ELECTRONICS INC
RF & Microwave Filters & Products

155 MHz Bandpass Filter

Part Number: AE155B9993



Electrical specifications

Center Frequency: 155 MHz
Passband: 135-175 MHz
Fc Insertion Loss: <1 dB
Return Loss Passband: >15 dB
Rejection: >70 dB @ 0-30 MHz
Rejection 2: >54 dB @ 55 MHz
Rejection 3: >23 dB @ 225 MHz
Rejection 4: >29 dB @ 246-2500 MHz
Input I Output Impedance: 50 Ohms
Power Handling: 10 Watts Max

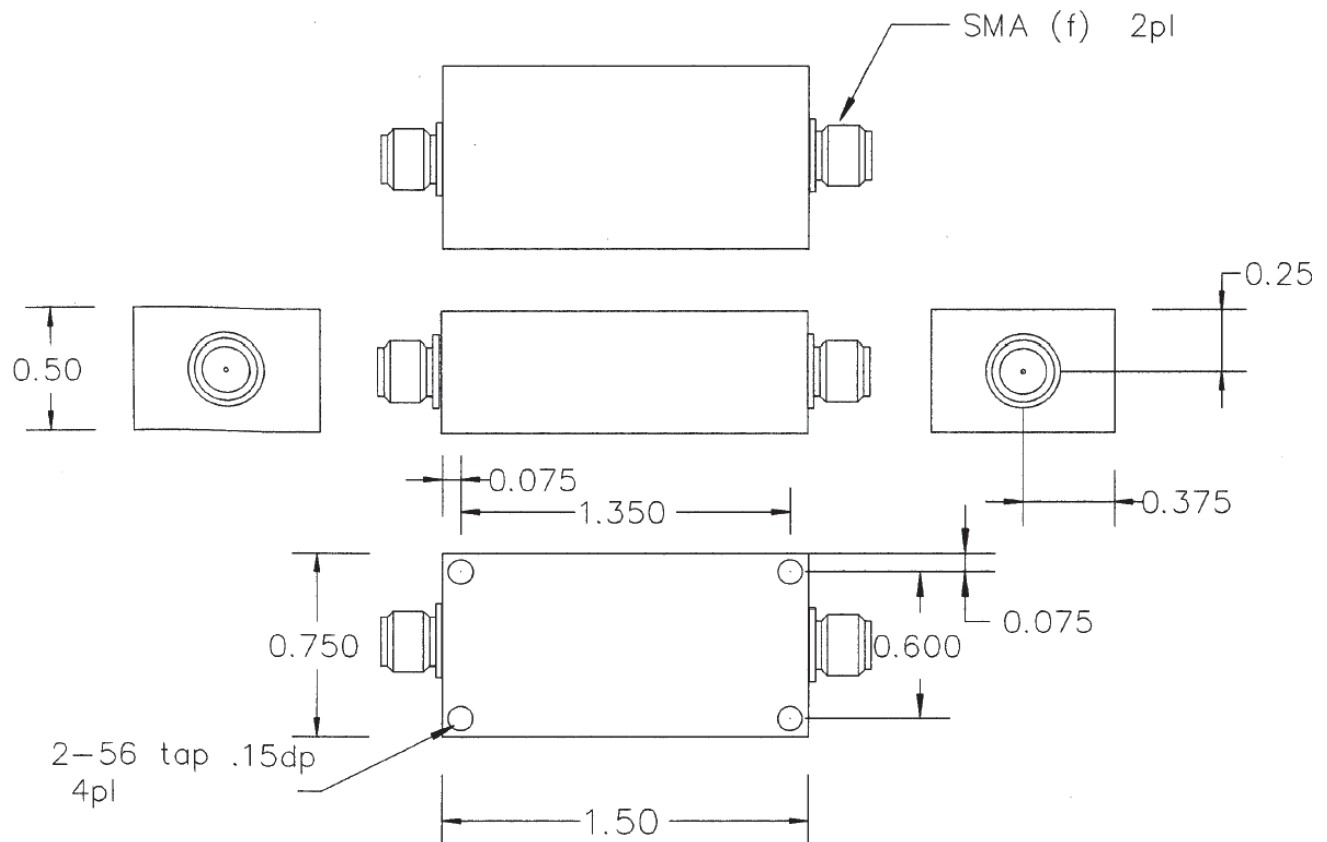
Mechanical

Connector Type: SMA (F)
Dimensions: 1.5 x 0.75 x 0.5 inches

Environmental

Operating Temperature: -45 to +85 deg.C
Storage temperature: -65 to +95 deg.C
Shock: 20 G's, ½ sine, 11ms
Vibration: 10 G's, 10-2000Hz
Relative Humidity: 0-95%

Outline Drawing:



DS-B9993-10162015-Rev0



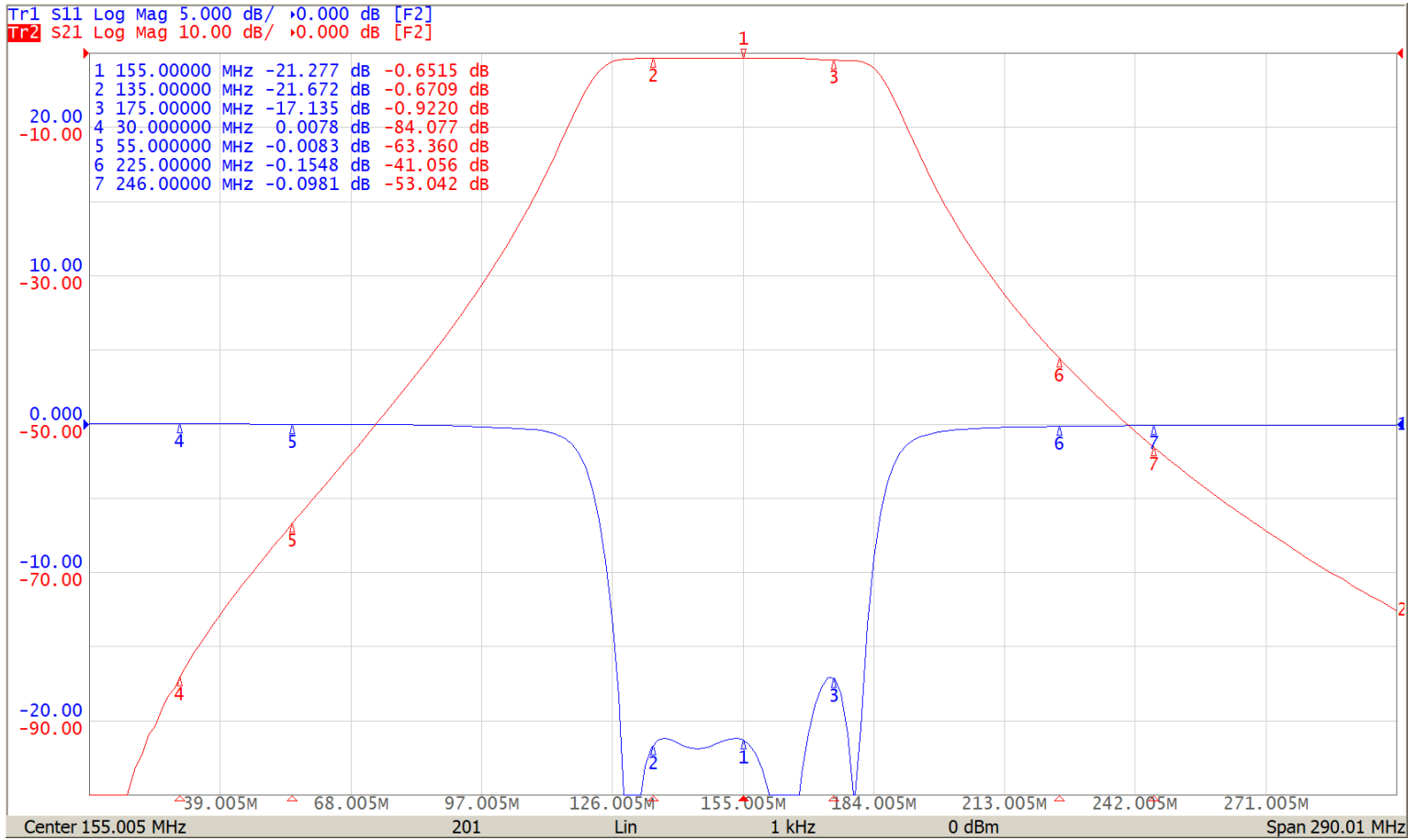
ANATECH ELECTRONICS INC
RF & Microwave Filters & Products

155 MHz Bandpass Filter

Part Number: AE155B9993



Response Plot:



DS-B9993-10162015-Rev0