



### Electrical Specifications

**Cutoff Frequency (Fc):** 1600 MHz  
**Passband:** 1600-3000 MHz  
**Passband Insertion Loss :** 3.0dB Max.  
**Passband Return Loss:** 14dB Min.  
**Rejection:** 40 dB Min. @ 0-1400 MHz

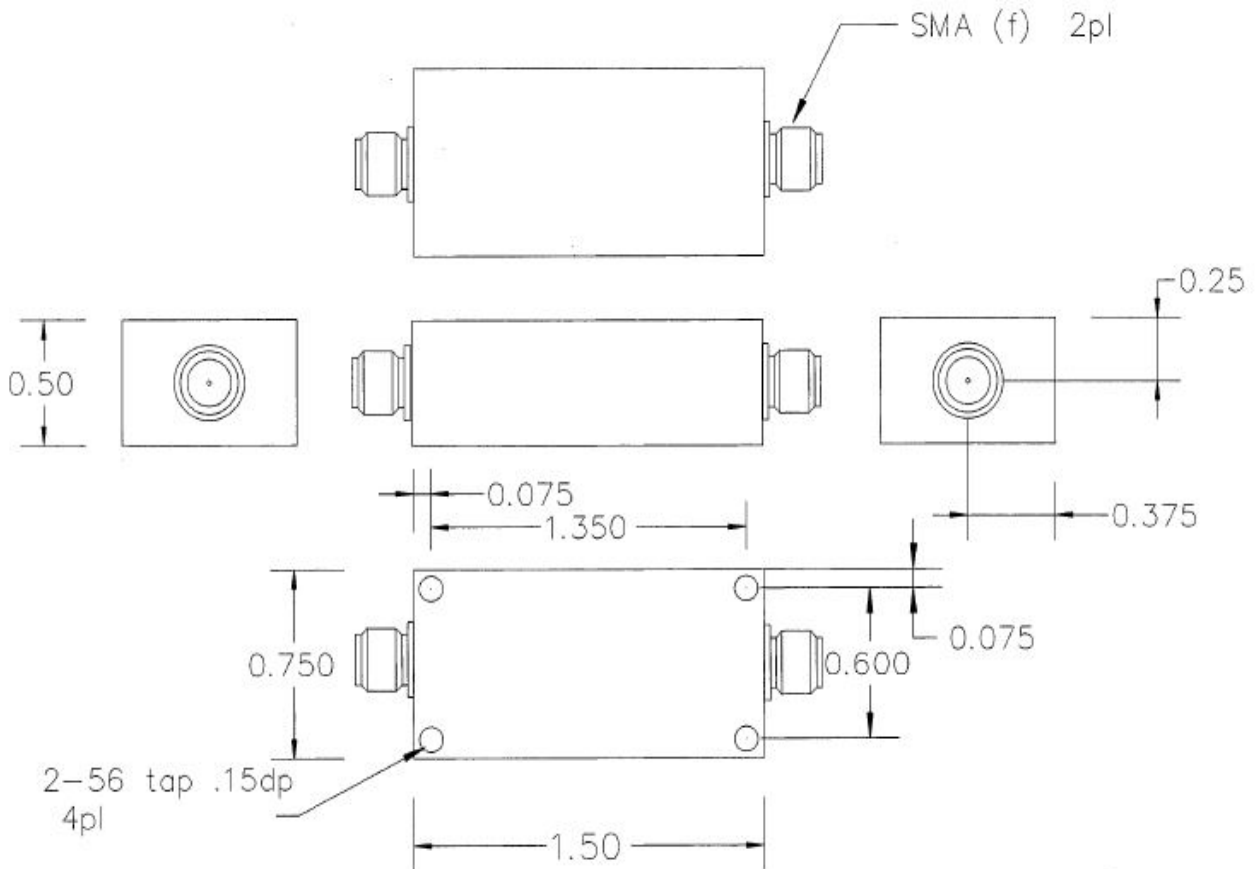
### Mechanical

**Connector Type:** SMA(F)  
**Dimensions:** 1.5" x 0.75" x 0.5"

### Environmental

**Operating Temperature:** -25°C to +70°C  
**Storage Temperature:** -60°C to +90°C  
**Shock:** 10 G. 11ms  
**Vibration:** 10 G. 5 to 200Hz

### Outline Drawing:





**Response Plot :**

