



**ANATECH ELECTRONICS INC**  
RF & Microwave Filters & Products

# 1652-1695 MHz Cavity Bandpass Filter

Part Number: AE1673B12054



## Electrical specifications

**Center Frequency:** 1673 MHz

**Passband frequency:** 1652-1695 MHz

**Insertion loss @ Passband:** 1.0 dB Max

**Return loss @ Passband:** 15 dB Min

**Rejection:** 40 dB Min @ DC-1590 & -1820-3000 MHz

**Impedance In/Out:** 50 Ohms

**Power Handling:** 100 W CW

## Mechanical

**Mounting Method:** Threaded Mounting Holes

**Connector Type:** SMA Female

**Dimensions:** 4.12" x 1.50" x 1.00" in

## Environmental

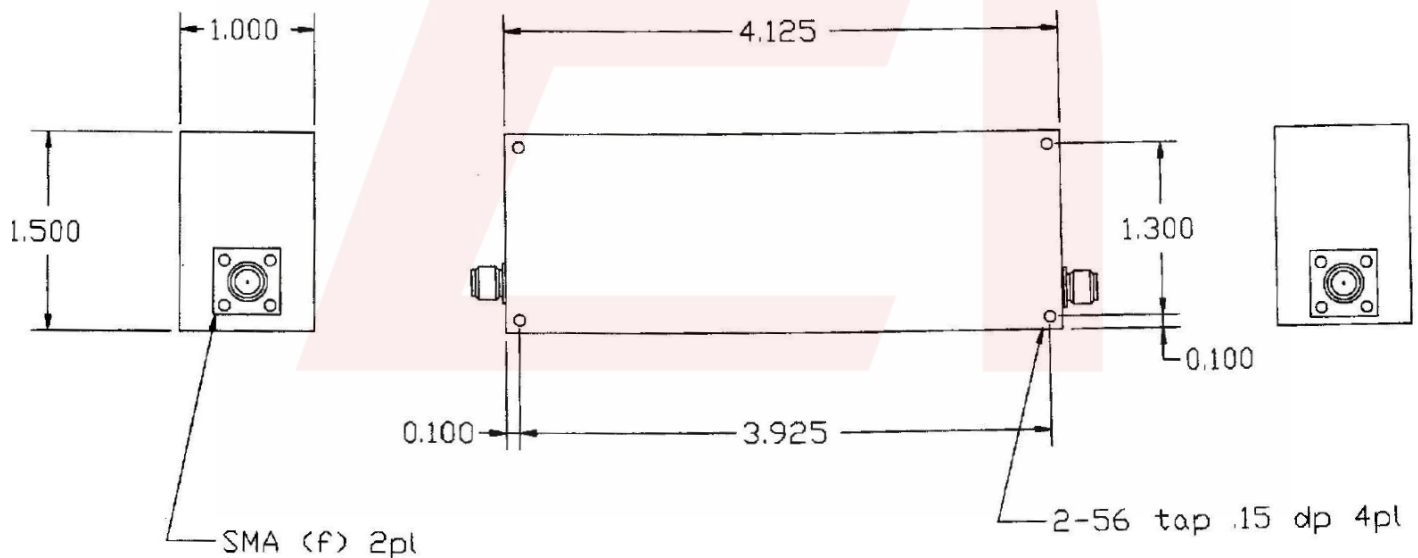
**Operating Temperature:** -45 to +85° C

**Storage Temperature:** -55 to +95° C

**Shock:** 20 G. 11ms

**Vibration:** 20 G. 5 to 200 MHz

## Outline Drawing:



DS-B12054-11072023-Rev0



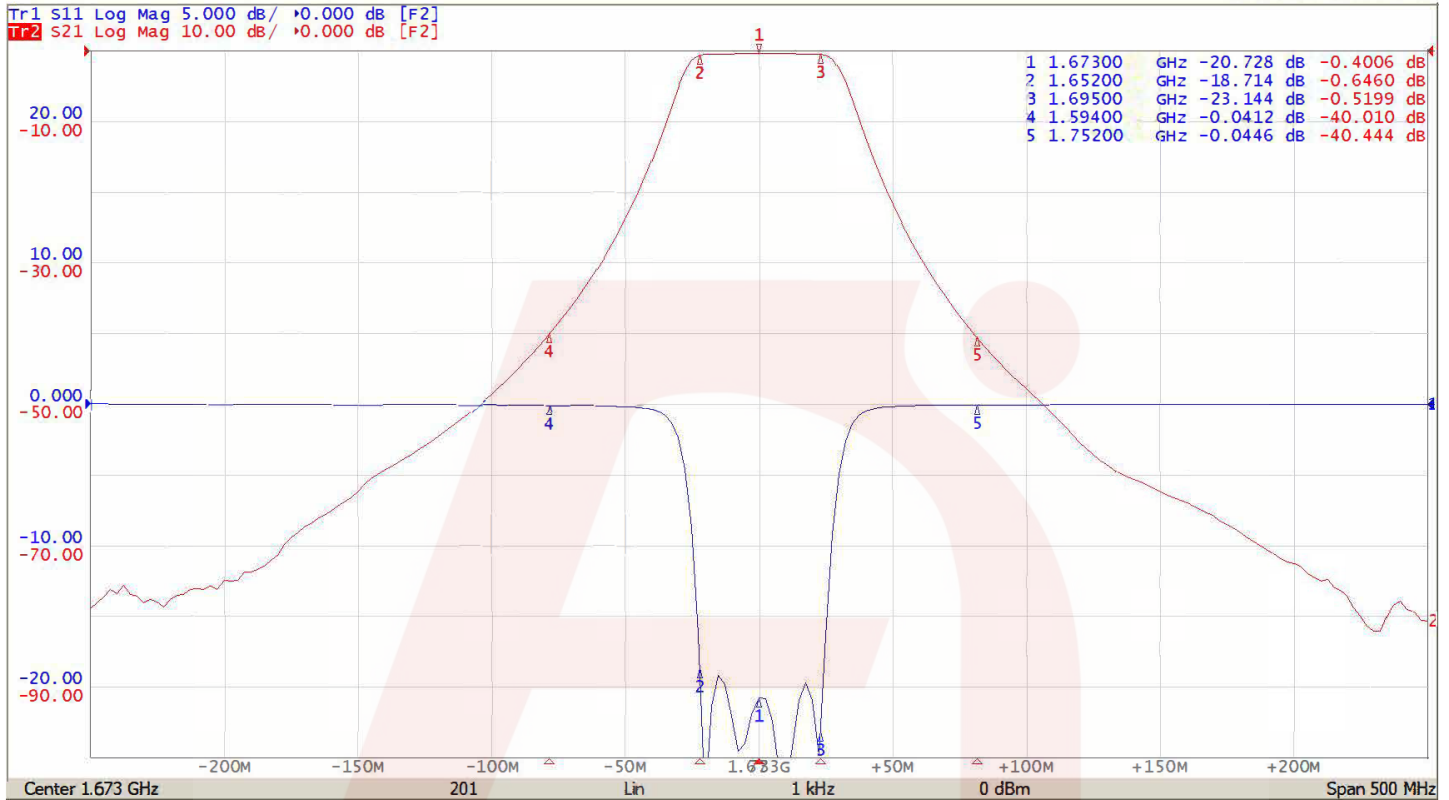
**ANATECH ELECTRONICS INC**  
RF & Microwave Filters & Products

# 1652-1695 MHz Cavity Bandpass Filter

Part Number: AE1673B12054



11/7/2023 4:34:34 PM



DS-B12054-11072023-Rev0