



ANATECH ELECTRONICS INC
RF & Microwave Filters & Products

167 MHz LC Bandpass Filter

Part Number: AE167B5311



Electrical Specifications

Center Frequency: 167 MHz
1.5dB Passband: 126 MHz to 208 MHz
Rejection: $\geq 50\text{dB}$ @ 0-95 MHz
Rejection2: $\geq 50\text{dB}$ @ 252 MHz to 416 MHz
Rejection3: $\geq 35\text{dB}$ @ 416 MHz to 3000 MHz
Impedance: 50 Ohms

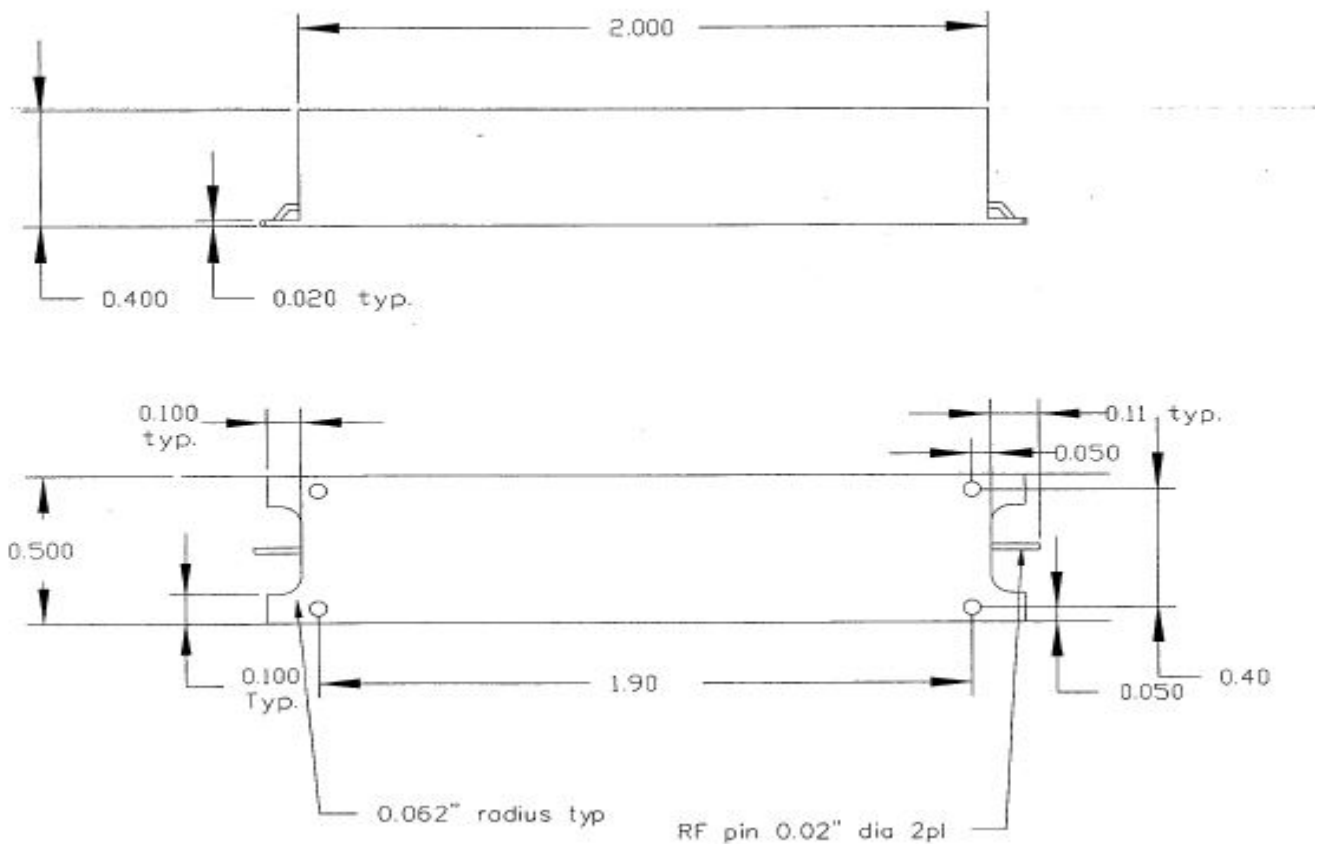
Mechanical

Connector Type: Surface-Mount
Dimensions: 2.0" x 0.5" x 0.4" in.

Environmental

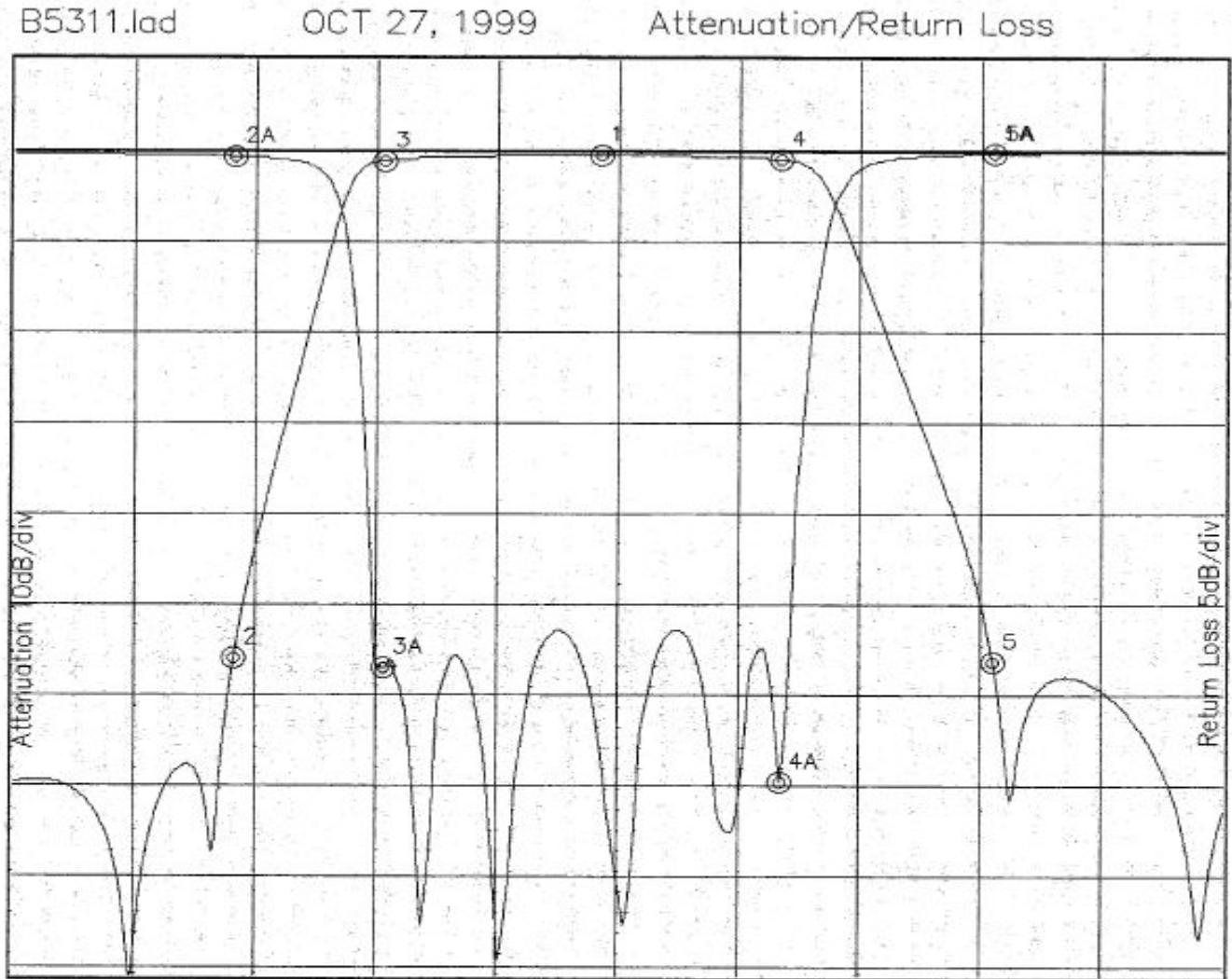
Operating Temperature: -25°C to $+70^{\circ}\text{C}$
Storage Temperature: -40°C to $+90^{\circ}\text{C}$
Shock: 10 G. 11ms
Vibration: 10 G. 5 to 200Hz

Outline Drawing:





Response Plot:



Attenuation Start: 50.0MHz Stop: 300.0MHz

Return Loss Start: 50.0MHz Stop: 300.0MHz

Marker 1 Freq 171.16MHz Atten -0.482dB
 Marker 2 Freq 95.234MHz Atten -55.695dB
 Marker 3 Freq 126.33MHz Atten -1.039dB
 Marker 4 Freq 208.32MHz Atten -0.857dB
 Marker 5 Freq 252.34MHz Atten -56.100dB

Marker 1A Freq 252.34MHz Ret Loss -0.121dB
 Marker 2A Freq 95.234MHz Ret Loss -0.282dB
 Marker 3A Freq 126.33MHz Ret Loss -28.416dB
 Marker 4A Freq 208.32MHz Ret Loss -34.717dB
 Marker 5A Freq 252.34MHz Ret Loss -0.121dB