



ANATECH ELECTRONICS INC
RF & Microwave Filters & Products

1755-1770 MHz Cavity Bandpass Filter

Part Number: AE1762B11477



Electrical specifications

RX Passband frequency: 1755-1770 MHz
Insertion loss@Passband: 1.2 dB Max
Return loss@Passband: 17 dB Min
Rejection: 65 dB Min @ 1835-1850 MHz

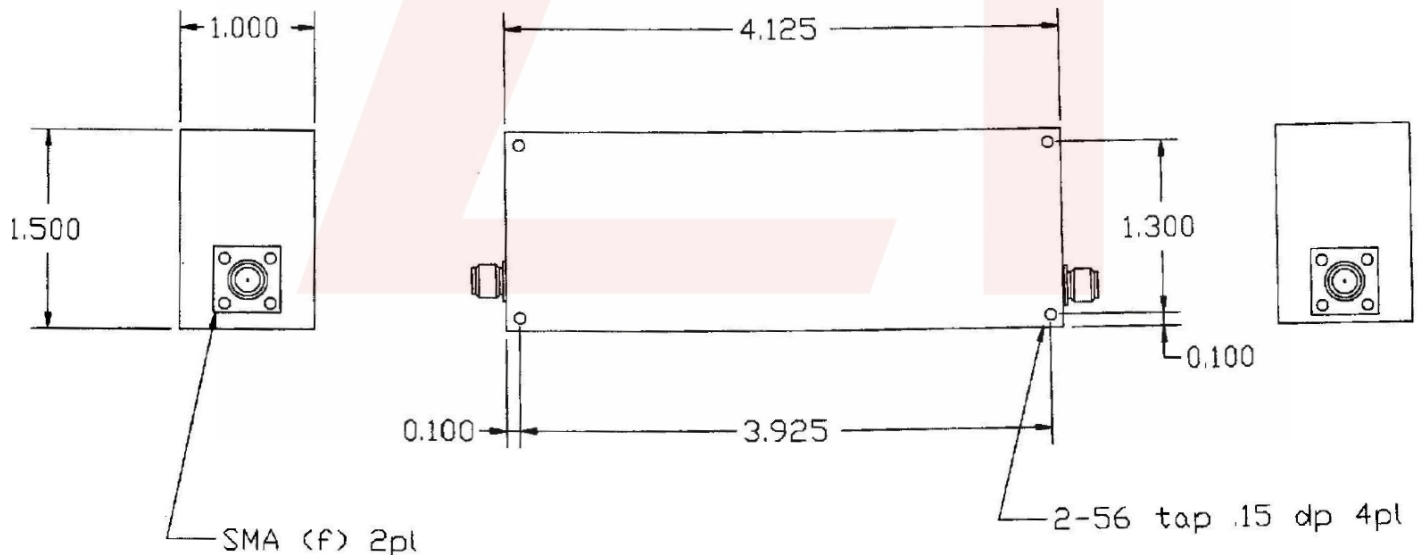
Mechanical

Mounting Method: Threaded Mounting Holes
Connector Type: SMA Female
Dimensions: 4.12" x 1.50" x 1.00" in

Environmental

Operating Temperature: -45 to +85° C
Storage Temperature: -55 to +95° C
Shock: 20 G. 11ms
Vibration: 20 G. 5 to 200 Hz

Outline Drawing:



DS-B11477-03292021-Rev0



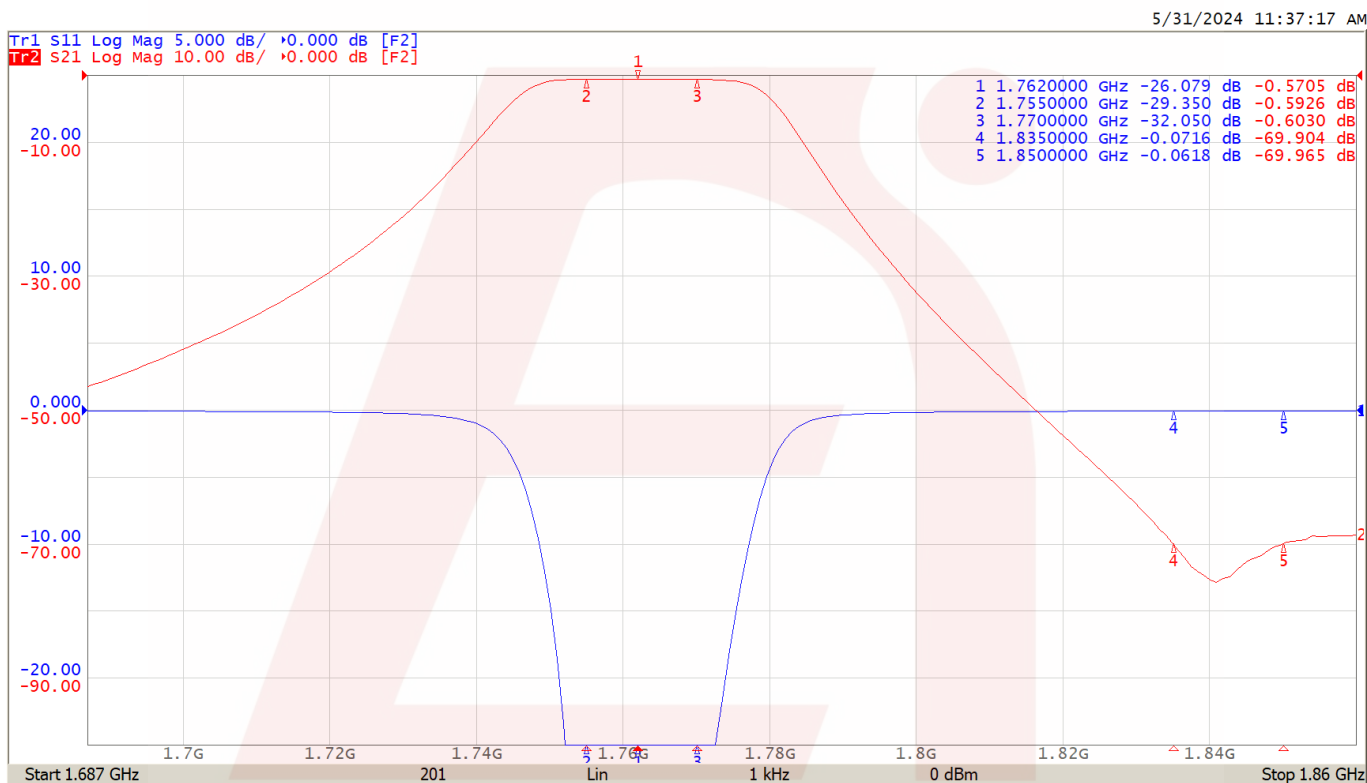
ANATECH ELECTRONICS INC
RF & Microwave Filters & Products

1755-1770 MHz Cavity Bandpass Filter

Part Number: AE1762B11477



Response Plot:



DS-B11477-03292021-Rev0