



ANATECH ELECTRONICS INC
RF & Microwave Filters & Products

18000 MHz Suspended Stripline High Pass Filter

Part Number: AE18000SSH6580



Electrical Specifications

Cut Off Frequency: 18GHz
Pass Band Frequency: 18~40GHz
Pass Band Insertion Loss:
 $\leq 2.0\text{dB}$ @ 18~19.5GHz
 $\leq 1.0\text{dB}$ @ 19.5~40GHz
Pass Band VSWR: $\leq 1.8:1$
Stop Band Attenuation: $\geq 50\text{dB}$ @ DC~15GHz
Impedance: 50 Ohms
Power Handling: $\leq 15\text{W}$

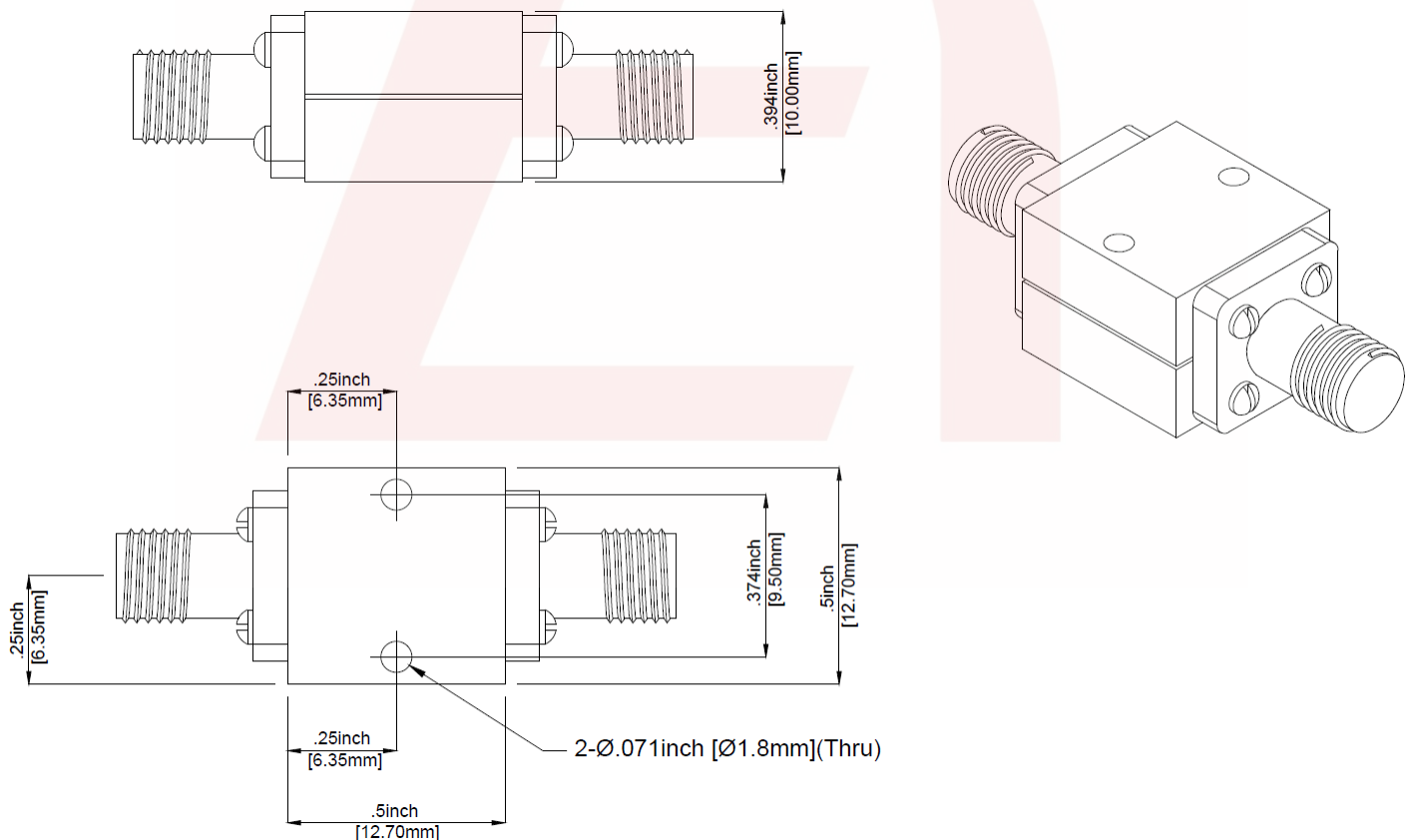
Mechanical

Mounting Method: Through Holes
Connector Type: 2.92 MM Female
Dimensions: 12.7 x 12.7 x 10.0 mm

Environmental

Operating Temperature: -45° to $+85^{\circ}$ C
Storage Temperature: -55° to $+95^{\circ}$ C
Shock: 20 G. 11ms
Vibration: 20 G. 5 to 200 Hz

Outline Drawing:



DS-SSH6580-01052022-Rev1

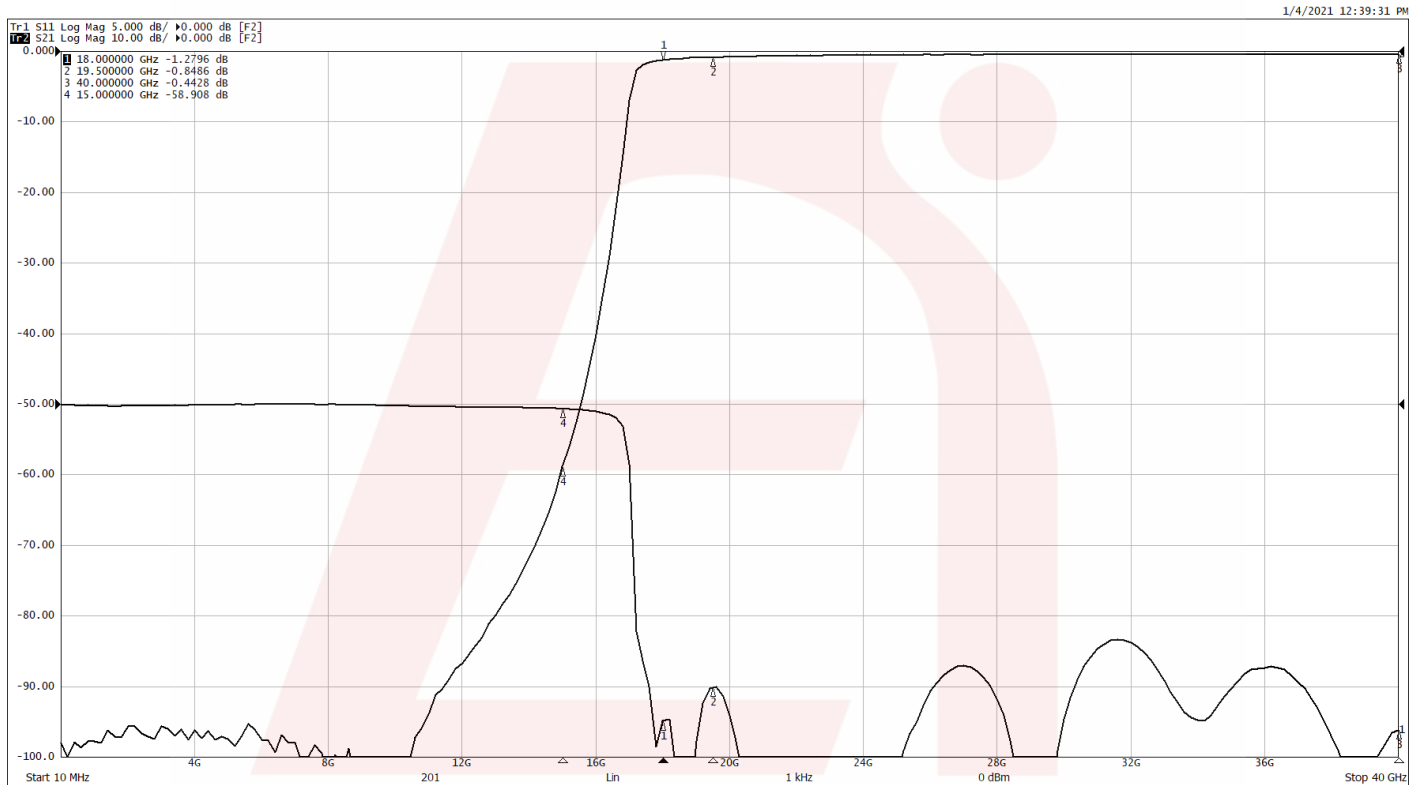


18000 MHz Suspended Stripline High Pass Filter

Part Number: AE18000SSH6580



Response Plot:



DS-SSH6580-01052022-Rev1