



ANATECH ELECTRONICS INC
RF & Microwave Filters & Products

1900 MHz Cavity Band Pass Filter

Part Number: AE1900B11879



Electrical Specifications

Center Frequency: 1900 MHz
Passband: 1880-1920 MHz
Insertion Loss: 2 dB Max.
Return: 15 dB Min
Rejection: 20 dB Min @ 1870 MHz
Rejection: 30 dB Min @ 2000 MHz
Impedance: 50 Ohms
Power Handling: 25 CW max

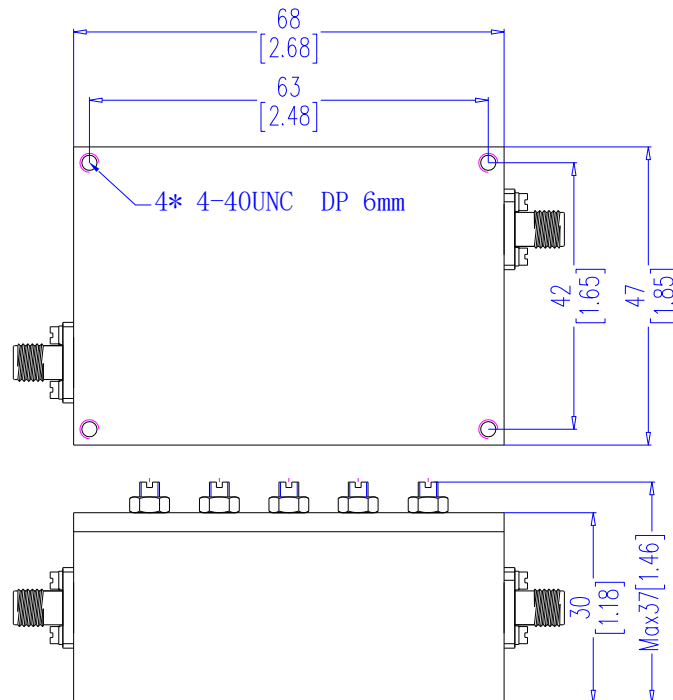
Mechanical

Mounting Method: 4-40 Threaded Holes
Connector Type: SMA (F)
Dimensions: 2.68" x 1.85" x 1.46"
 68 x 47 x 37 mm

Environmental

Operating Temperature: -40°C to +70°C
Storage Temperature: -55°C to +85°C
Shock: 20 G. 11ms
Vibration: 20 G. 5 to 200Hz

Outline Drawing:



Tolerance: +/-0.01 inches [+/- 0.3mm]

Angles: +/- 1 Deg.

*Tolerance as shown unless otherwise specified in the datasheet electrical specification tables above.

*When max dimensions are called out the above tolerances do not apply as long as it is under the max call out.

70 Outwater Lane Phone: (973) 772-4242
Garfield, NJ 07026 Fax : (973) 321-3941

Email: sales@anatechelectronics.com
Web: www.anatechelectronics.com



ANATECH ELECTRONICS INC
RF & Microwave Filters & Products

2250 MHz Cavity Band Pass Filter

Part Number: AE2250B11877



Simulated Response Plot:

