



ANATECH ELECTRONICS INC
RF & Microwave Filters & Products

1975 MHz Cavity Bandpass Filter

Part Number: AE1975B5134



Electrical Specifications

Center Frequency: 1975 MHz
Bandwidth: 90 MHz
Insertion Loss: <2dB
Return Loss: >16dB @ 90 MHz
Rejection: >65dB @ 0-1800 MHz
Rejection2: >65dB @ 2100 MHz to 3100 MHz
Impedance: 50 Ohms
Power Handling: 35 W CW

Mechanical

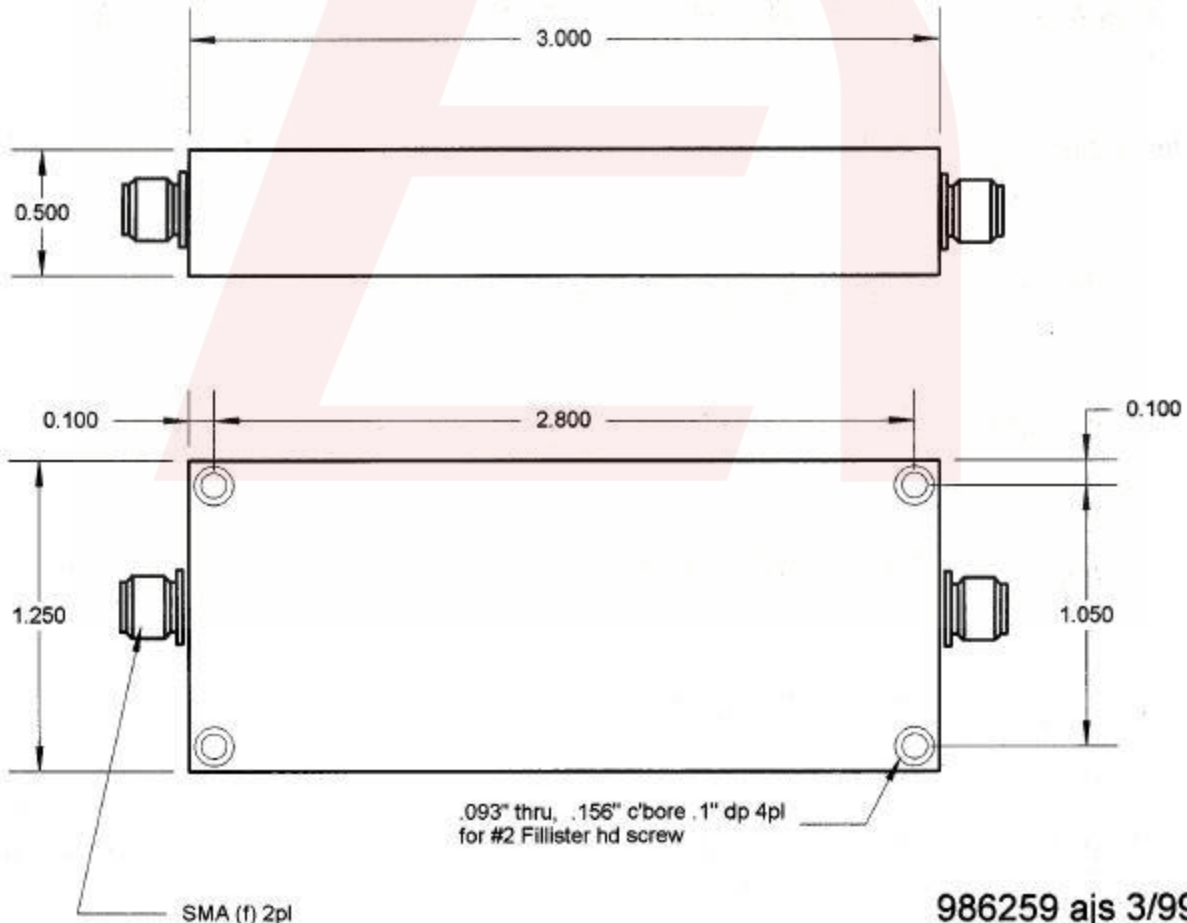
Mounting Method: Through Holes
Connector Type: SMA(F)
Dimensions: 3.0" x 1.25" x 0.5" in.

Environmental

Operating Temperature: -25°C to +70°C
Storage Temperature: -40°C to +90°C
Shock: 20 G. 11ms
Vibration: 20 G. 5 to 200Hz

Outline Drawing:

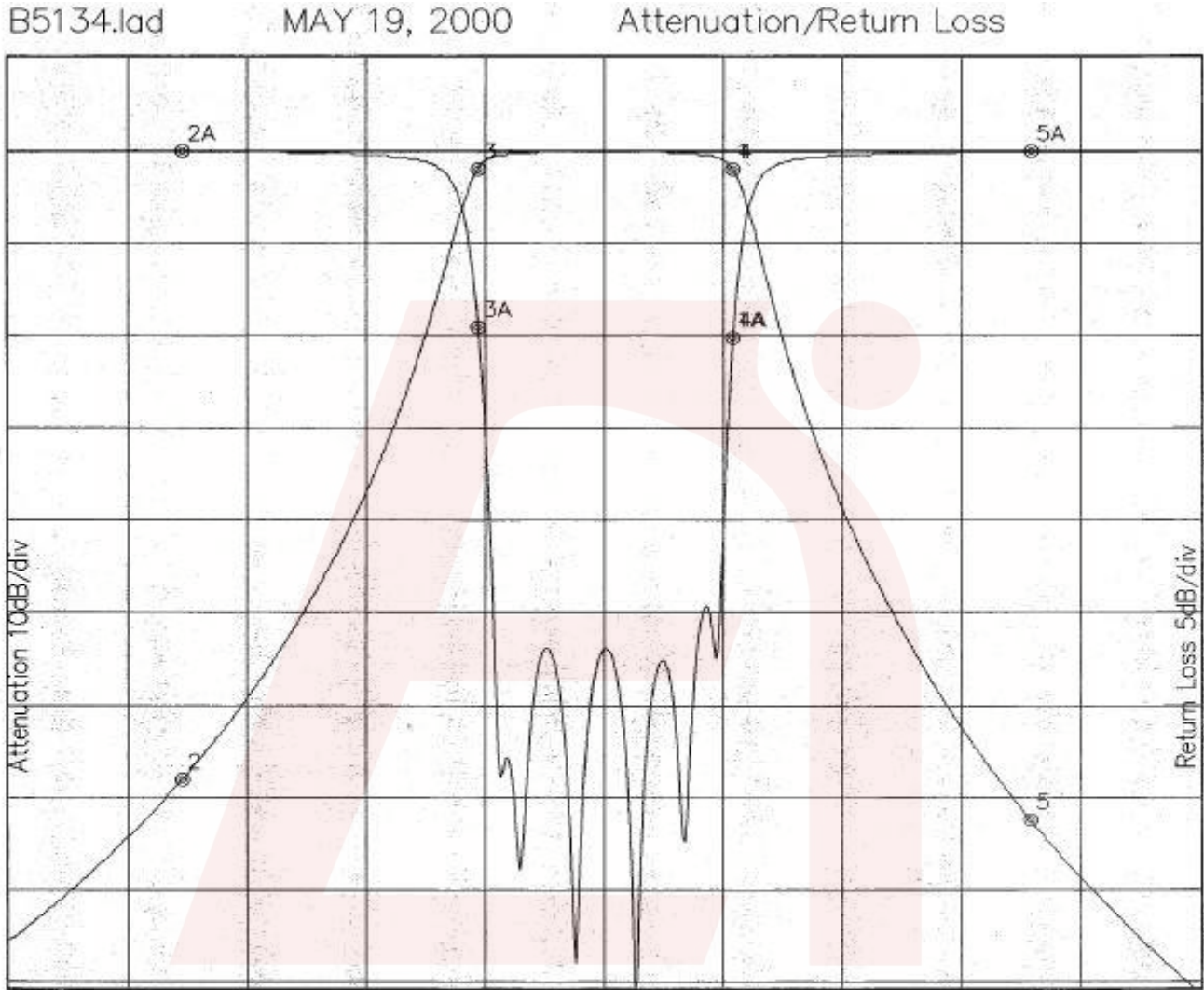
rev A mtg hole chg



DS-B5134-04112019-Rev0



Response Plot:



Attenuation Start: 1.80GHz Stop: 2.150GHz

Return Loss Start: 1.80GHz Stop: 2.150GHz

Offset: -1.0869dB

- Marker 1 Freq 2.013GHz Atten -1.924dB
- Marker 2 Freq 1.850GHz Atten -68.033dB
- Marker 3 Freq 1.937GHz Atten -1.865dB
- Marker 4 Freq 2.013GHz Atten -1.924dB
- Marker 5 Freq 2.10GHz Atten -72.481dB

- Marker 1A Freq 2.013GHz Ret Loss -10.069dB
- Marker 2A Freq 1.850GHz Ret Loss 0.000dB
- Marker 3A Freq 1.937GHz Ret Loss -9.581dB
- Marker 4A Freq 2.013GHz Ret Loss -10.069dB
- Marker 5A Freq 2.10GHz Ret Loss 0.000dB