



### Electrical specifications

**Cutoff Frequency:** 1 MHz  
**Passband:** DC – 500 KHz  
**Insertion loss over Passband:** 0.5 dB Max  
**Insertion Loss @ cutoff:** 3.5 dB Max  
**Return loss Over Passband:** 15 dB Min  
**Rejection @ 3.0 MHz:** 45 dB Min

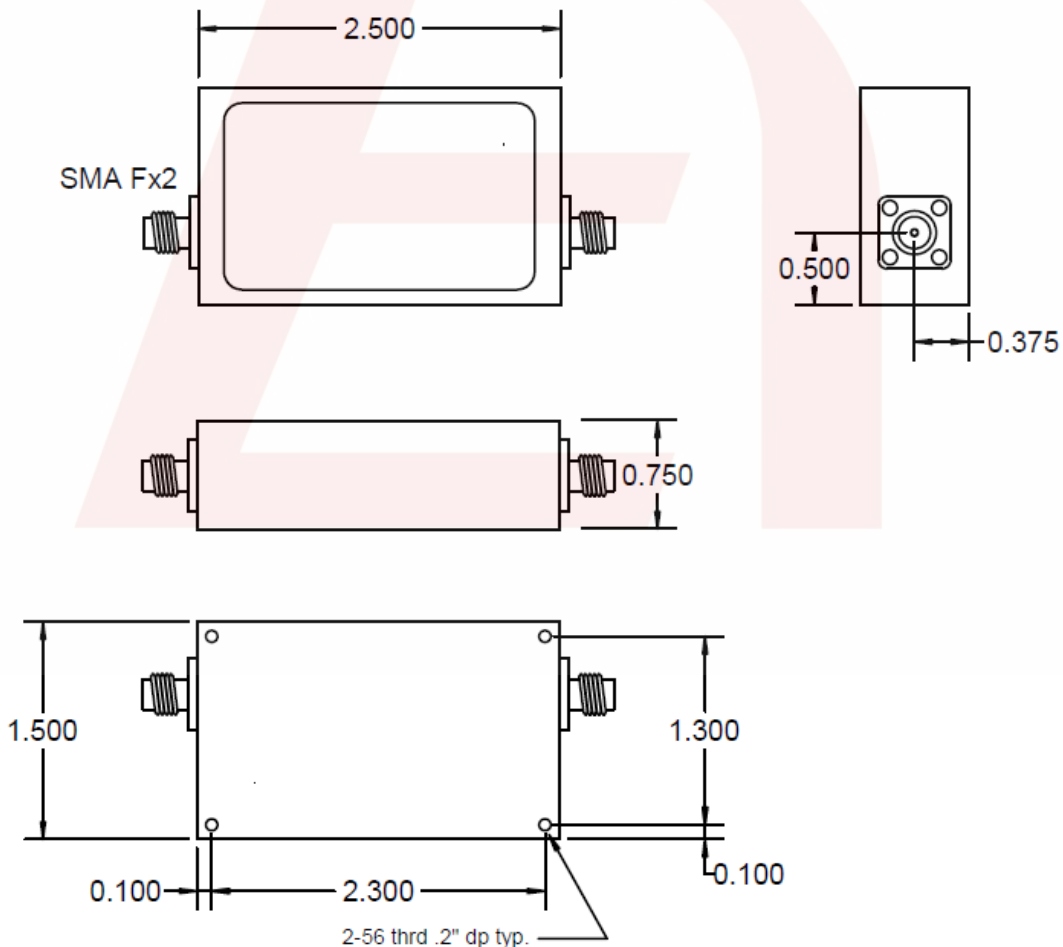
### Mechanical

**Mounting Method:** Threaded Holes  
**Connector Type:** SMA (F)  
**Dimensions:** 2.5 x 1.5 x 0.75 in

### Environmental

**Operating Temperature:** -40°C to +85°C  
**Storage Temperature:** -55°C to +95°C

### Outline Drawing:



DS-L9080-S-11122024-Rev0