



ANATECH ELECTRONICS INC
RF & Microwave Filters & Products

2000 - 2400 MHz User Tunable Band Pass Filter

Part Number: AE2000-2400TB116



Electrical Specifications

Center Frequency Range: 2000-2400 MHz
3dB Bandwidth at each Center: 10 MHz Min
Insertion Loss at Peak: 3.0 dB Max
Return Loss at Peak: 10 dB Typical
30dB Bandwidth at each Center: 64 MHz (CF ± 32 MHz)
Power Handling: 25 W CW Max

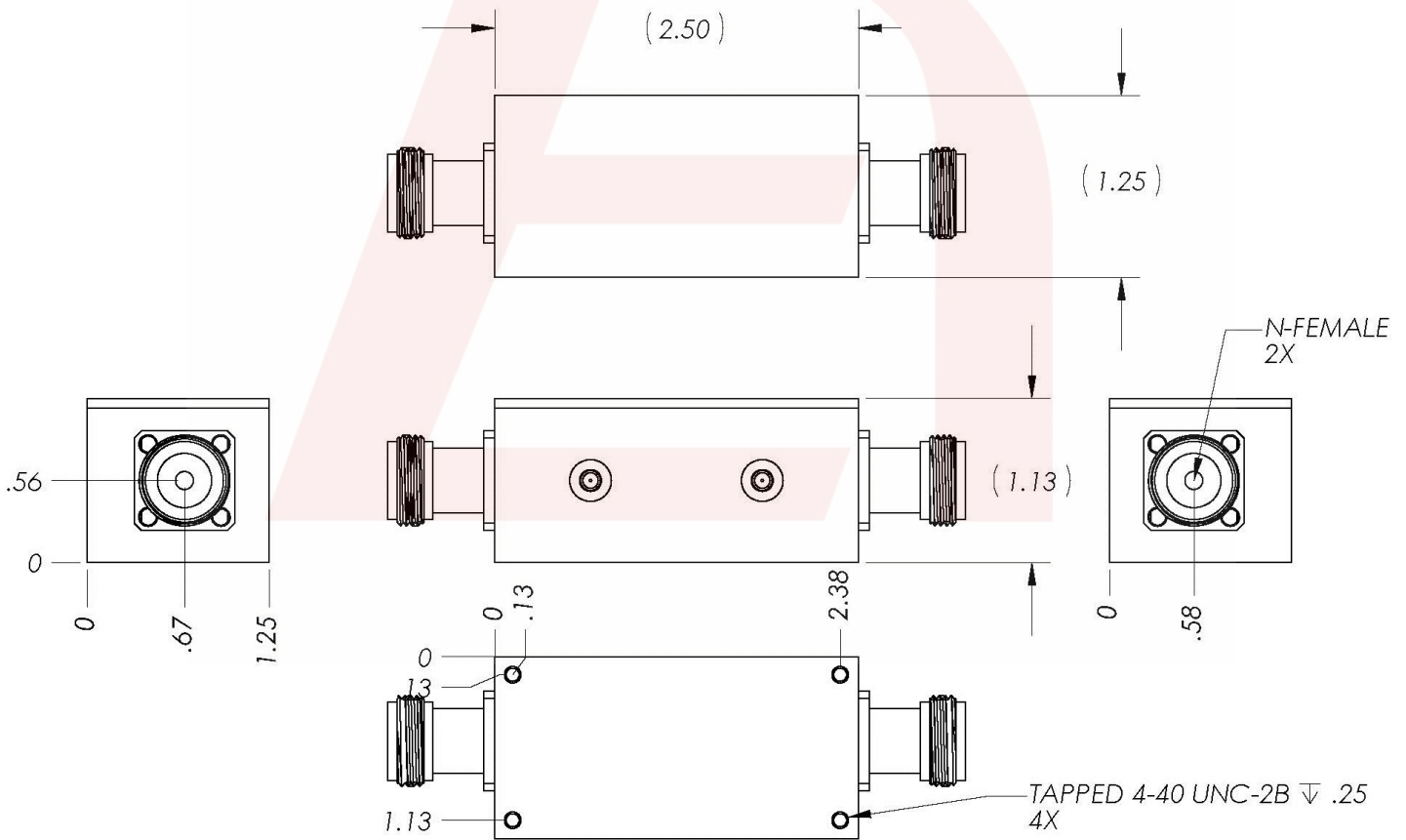
Mechanical

Mounting Method: 4-40 Threaded Holes
Connector Type: N-Type (F)
Dimensions: 2.50 x 1.25 x 1.13 in

Environmental

Operating Temperature: -40°C to +80°C
Storage Temperature: -50°C to +95°C

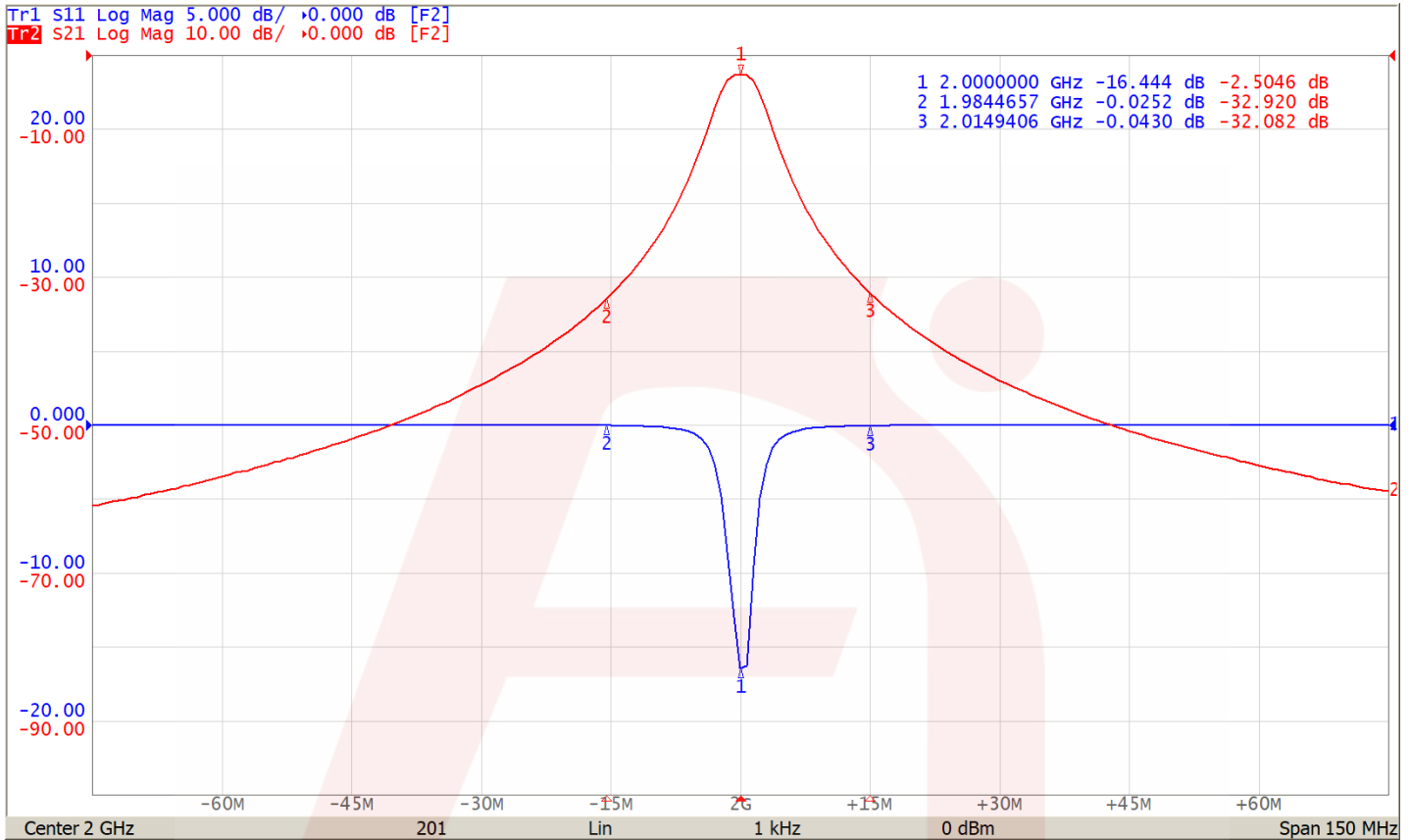
Outline Drawing:



DS-TB116-03052025-Rev4



Response Plot at 2000 MHz:





2000 - 2400 MHz User Tunable Band Pass Filter

Part Number: AE2000-2400TB116



Response Plot at 2200 MHz:





2000 - 2400 MHz User Tunable Band Pass Filter

Part Number: AE2000-2400TB116



Response Plot at 2400 MHz:

