

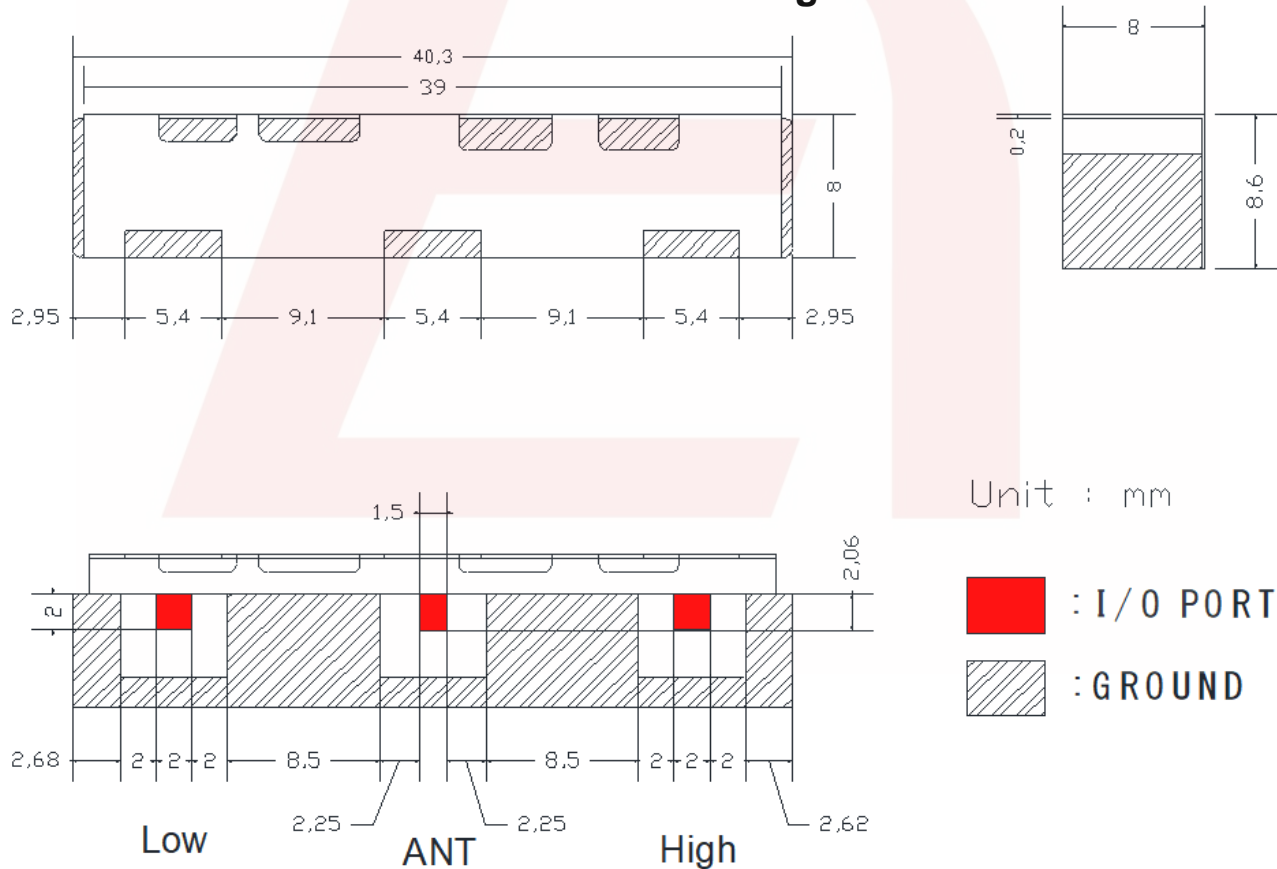
<u>Characteristics</u>	<u>Band 1</u>	<u>Band 2</u>
Center Frequency:	2075 MHz	2250 MHz
Passband:	2025 - 2125 MHz	2200 - 2300 MHz
Bandwidth:	100 MHz	100 MHz
Return Loss:	14 dB Min	14 dB Min
Insertion Loss:	2.0 dB Max	2.0 dB Max
Ripple in BW:	0.7 dB Max	0.7 dB Max
Input / Output Impedance:	50 Ohms	50 Ohms
Isolation:	40 dB Min	40 dB Min
Power Handling:	2 W CW	2 W CW

<u>Mechanical</u>	
Mounting Method:	SMT
Dimensions:	40.3 x 8 x 8.6 mm

<u>Environmental</u>	
Operating Temperature:	-30°C to +55°C
Storage Temperature:	-55°C to +80°C

This product is RoHs compliant.

Outline Drawing:



Tolerance: +/-0.01 inches[+/-0.3mm]

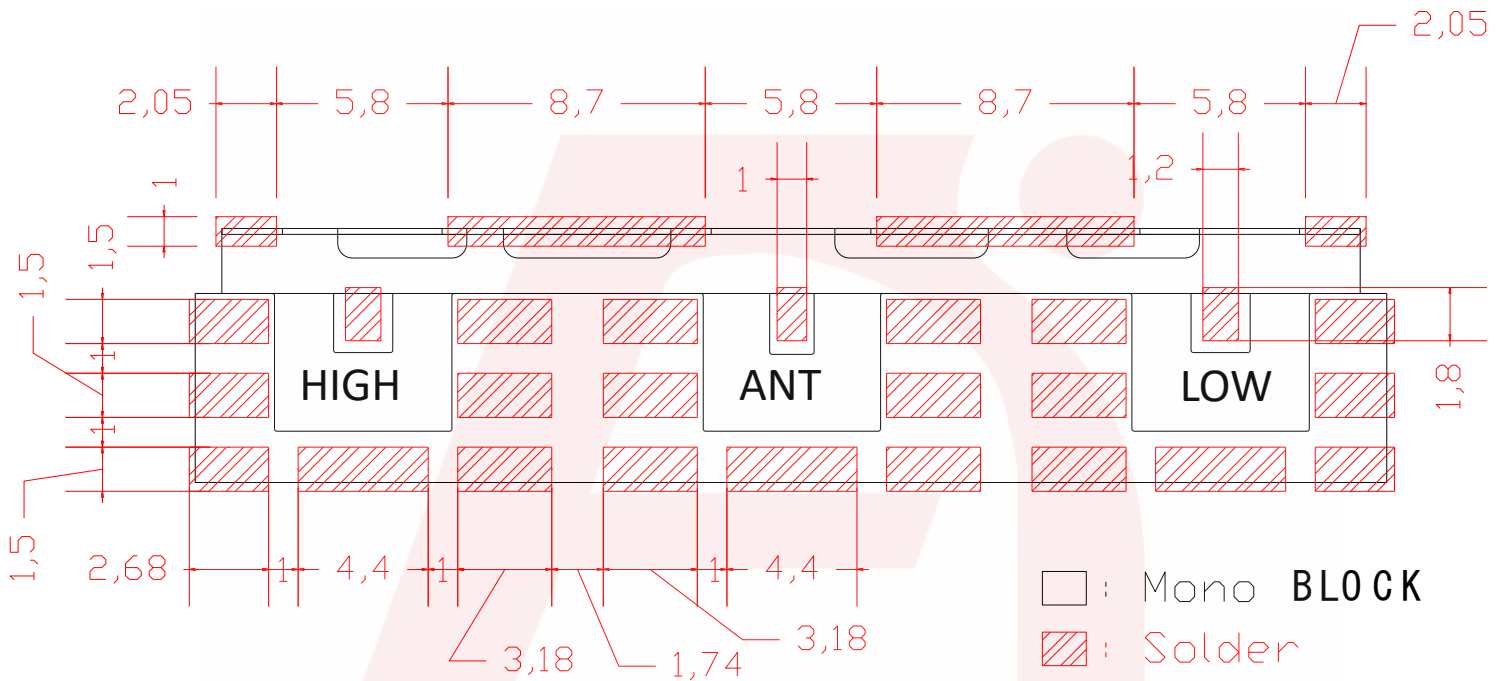
Angles: +/-1 Deg.

*Tolerance as shown unless otherwise specified in the datasheet electrical specification tables above.

*When max dimensions are called out the above tolerances do not apply as long as it is under the max call out.

DS-CD1202-03212025-Rev3

PCB Footprint:



Response Plot:

