



**ANATECH ELECTRONICS INC**  
RF & Microwave Filters & Products

# 2106 MHz Cavity Bandpass Filter

**Part Number: AE2106B10565**



## Electrical Specifications

**Center Frequency:** 2106 MHz

**Bandwidth:** 15 MHz

**Passband ripple:** 0.05dB

**Impedance:** 50 Ohms

## Mechanical

**Connector Type:** SMA(Female)

**Dimensions:** 1.9" X 1.3" x 0.45" in.

## Environmental

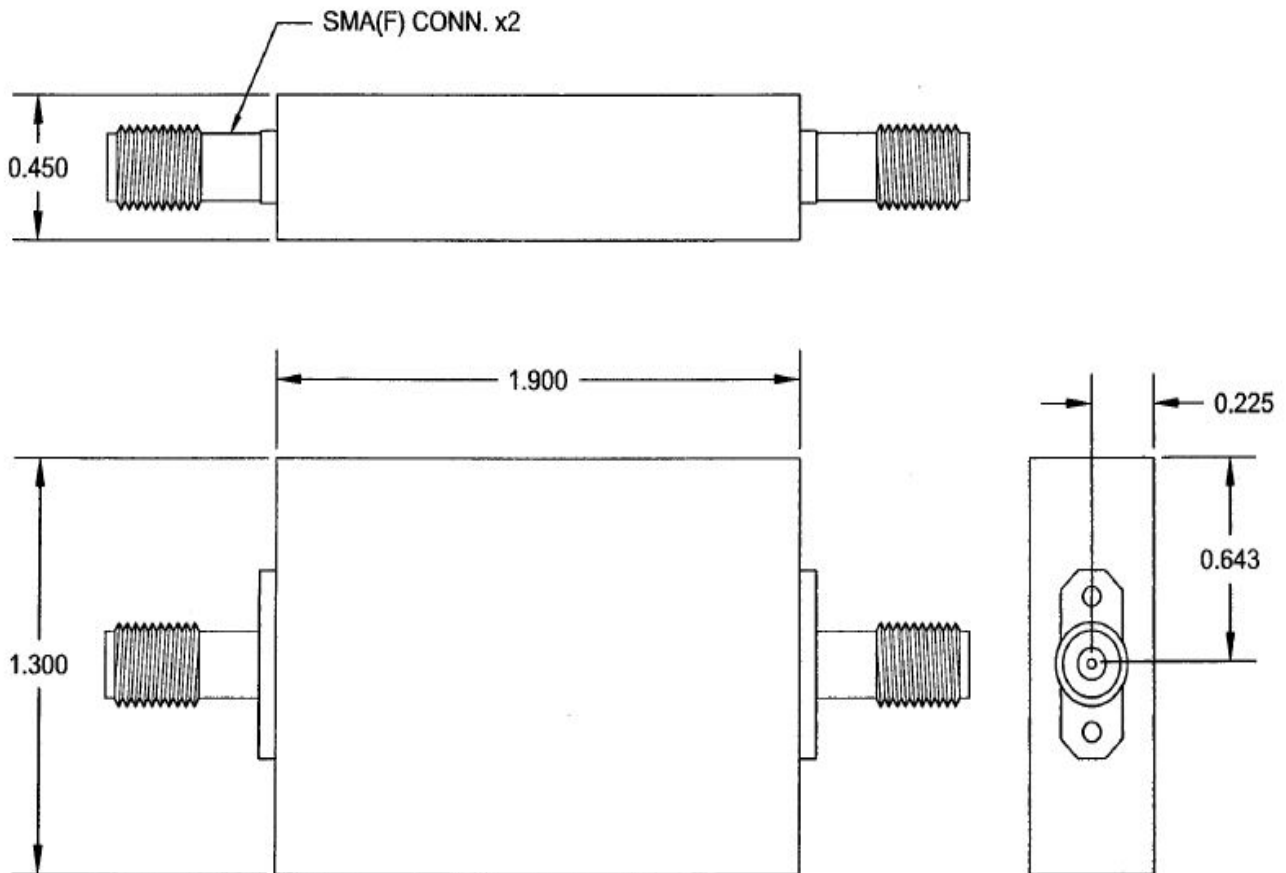
**Operating Temperature:** -25°C to +70°C

**Storage Temperature:** -40°C to +90°C

**Shock:** 20 G. 11ms

**Vibration:** 20 G. 5 to 200Hz

## Outline Drawing:





**ANATECH ELECTRONICS INC**  
RF & Microwave Filters & Products

# 2106 MHz Cavity Bandpass Filter

Part Number: AE2106B10565



## Response Plot:

