



**ANATECH ELECTRONICS, INC.**

**Manufacturer of RF & Microwave Filters and Products**



## 217.775 MHz Bandpass Filter

**Part Number: AE217B5791**

### Specifications:

Center Frequency: 217.775 MHz

Passband Ripple: <0.1 dB

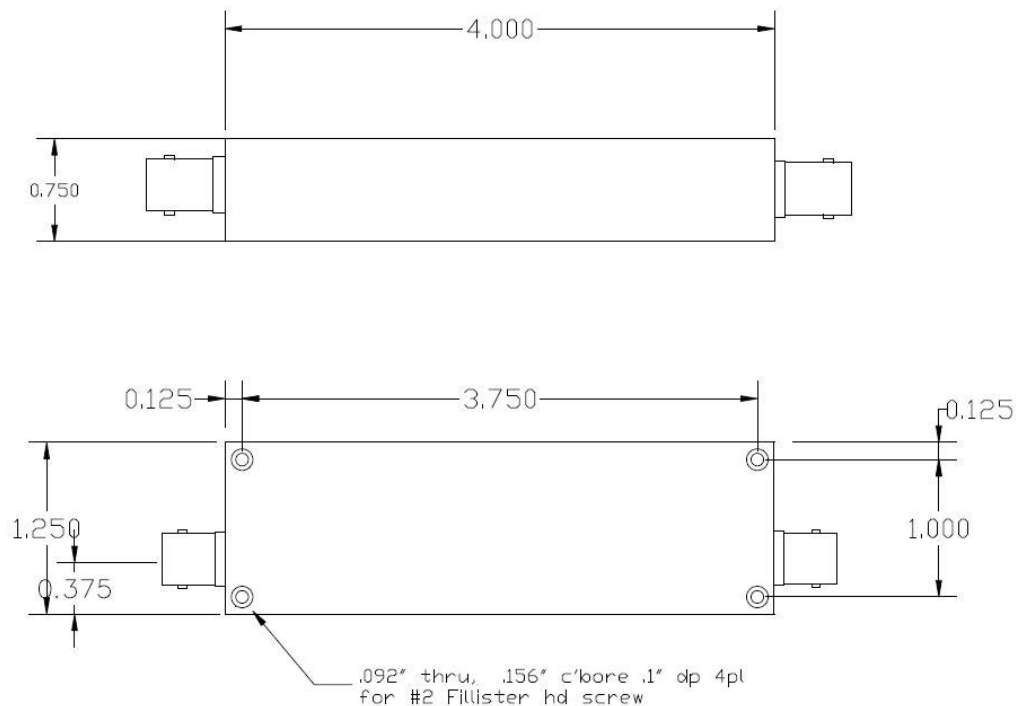
Return Loss @ Center Frequency: >1.5:1

Insertion Loss @ Center Frequency : <1.2 dB

Rejection: >30dB @ 0-200 MHz

>30dB @ 234-600 MHz

### Outline Drawing:



Connector Type: BNC (F) 2 Pl

ANATECH ELECTRONICS INC. 70 Outwater Lane, Garfield, NJ 07026 Tel: (973) 772-4242 Fax: (973) 772-4646

E-Mail: [sales@anatechelectronics.com](mailto:sales@anatechelectronics.com) Website: [www.anatechelectronics.com](http://www.anatechelectronics.com)