



ANATECH ELECTRONICS INC
RF & Microwave Filters & Products

2200-2300 MHz User Tunable Band Pass Filter

Part Number: AE2200-2300TB107



Electrical Specifications

Center Frequency Range: 2200-2300 MHz
3dB Bandwidth at Each Center: 10 MHz Min
Insertion Loss at Peak: 1.75 dB Max
Return Loss at Peak: 15 dB Min
30dB Bandwidth at Each Center: 64 MHz
 (CF \pm 32 MHz)
Power Handling: 25 Watts Max

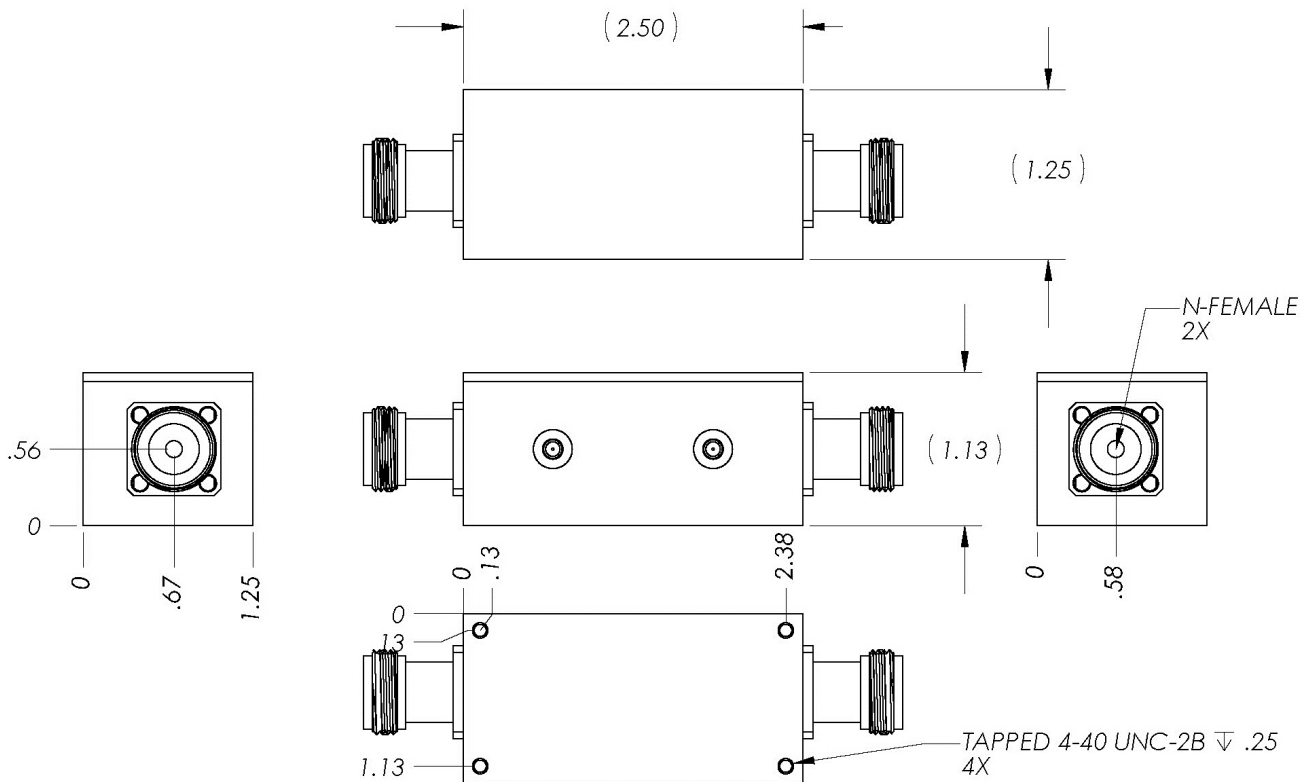
Mechanical

Connector Type: N-Type (F)
Dimensions: 2.50 x 1.25 x 1.13 Inches

Environmental

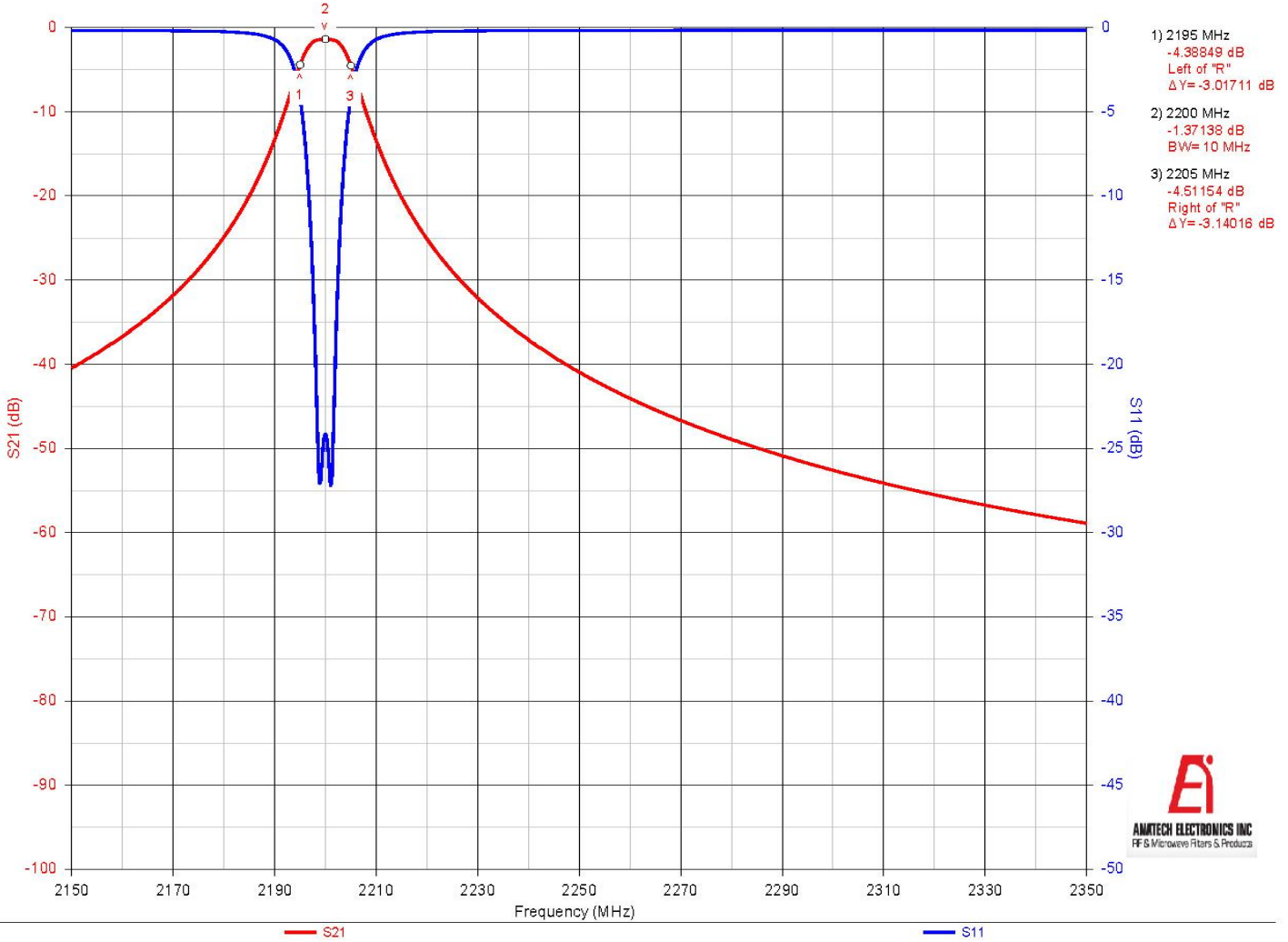
Operating Temperature: -40 to +80° C
Storage Temperature: -50 to +95° C

Outline Drawing:





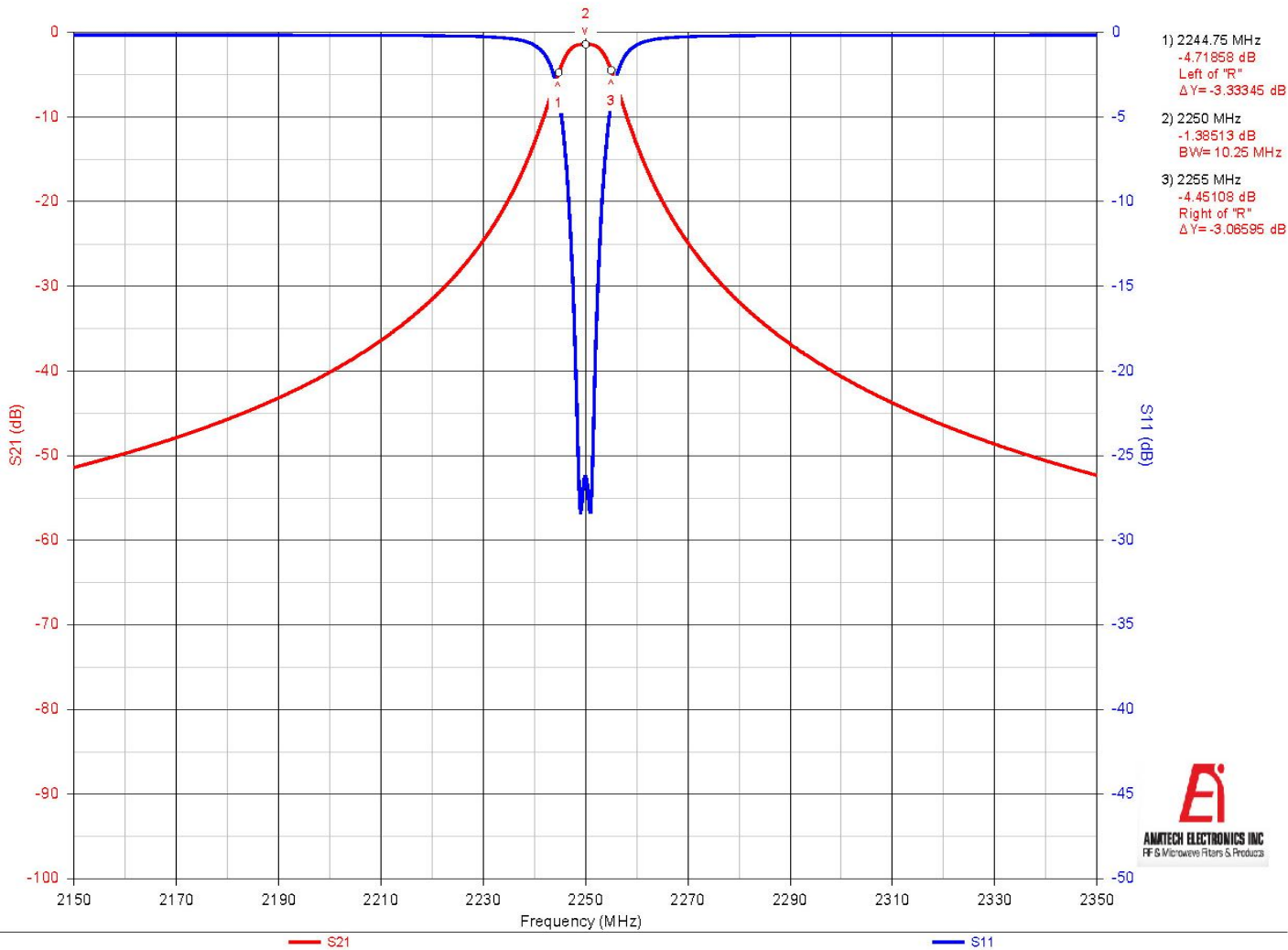
Response Plot (Low):



Note: This is a simulation plot. Actual results may differ once the product is implemented.



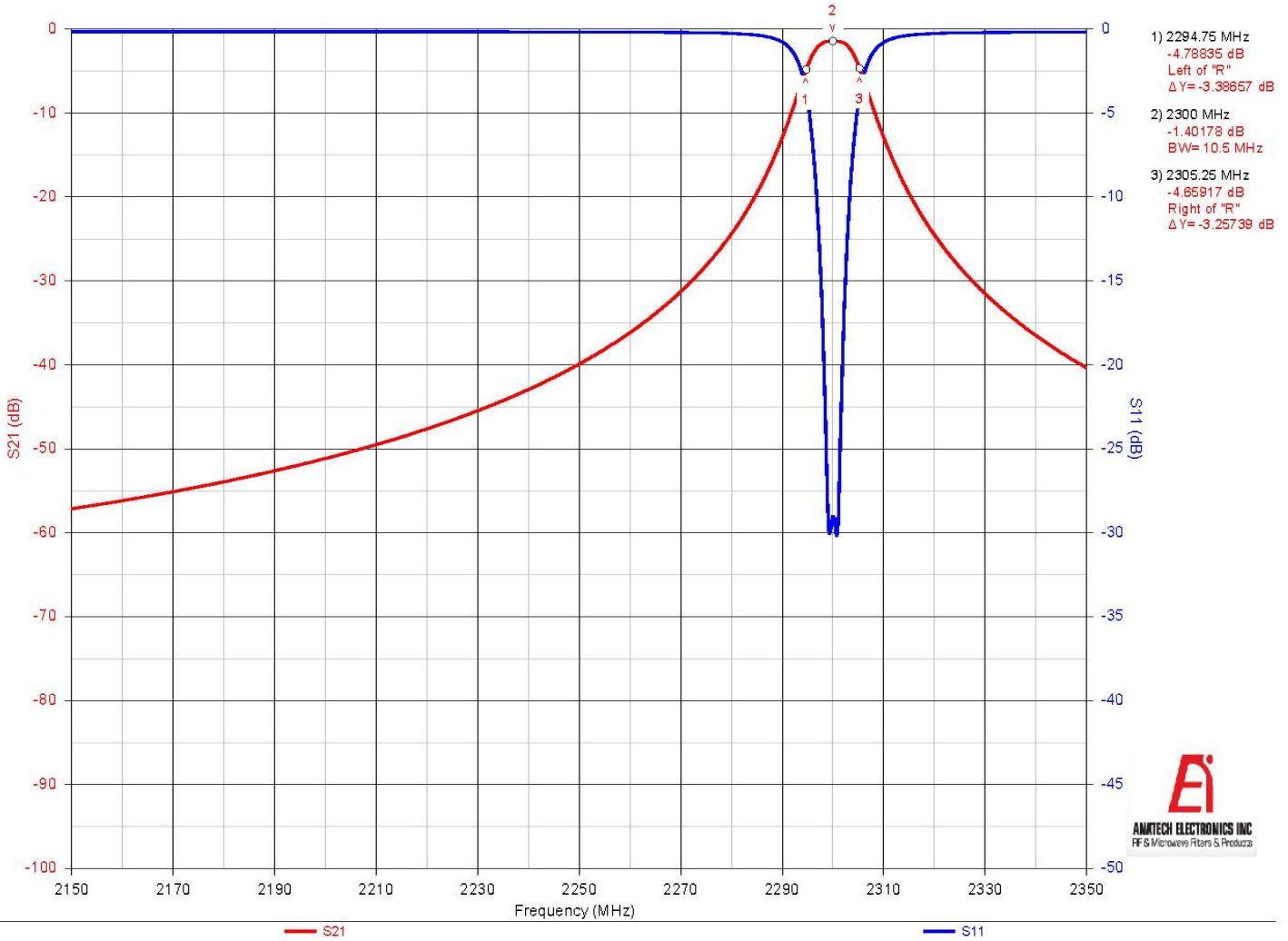
Response Plot (Mid):



Note: This is a simulation plot. Actual results may differ once the product is implemented.



Response Plot (High):



Note: This is a simulation plot. Actual results may differ once the product is implemented.