



Electrical Specifications

Center Frequency: 2225 MHz
Bandwidth: 50 MHz
Passband: 2200 – 2250 MHz
Insertion Loss in Passband: 1.0 dB Max
 (0.5 dB Goal)
Return Loss: 15 dB Min
Rejection: 55 dB Min @ 2350 – 2390 MHz
 (60 dB Goal)
Impedance: 50 Ohms In/Out
Power Handling: 5 W Min (10 W Min Goal)

Mechanical

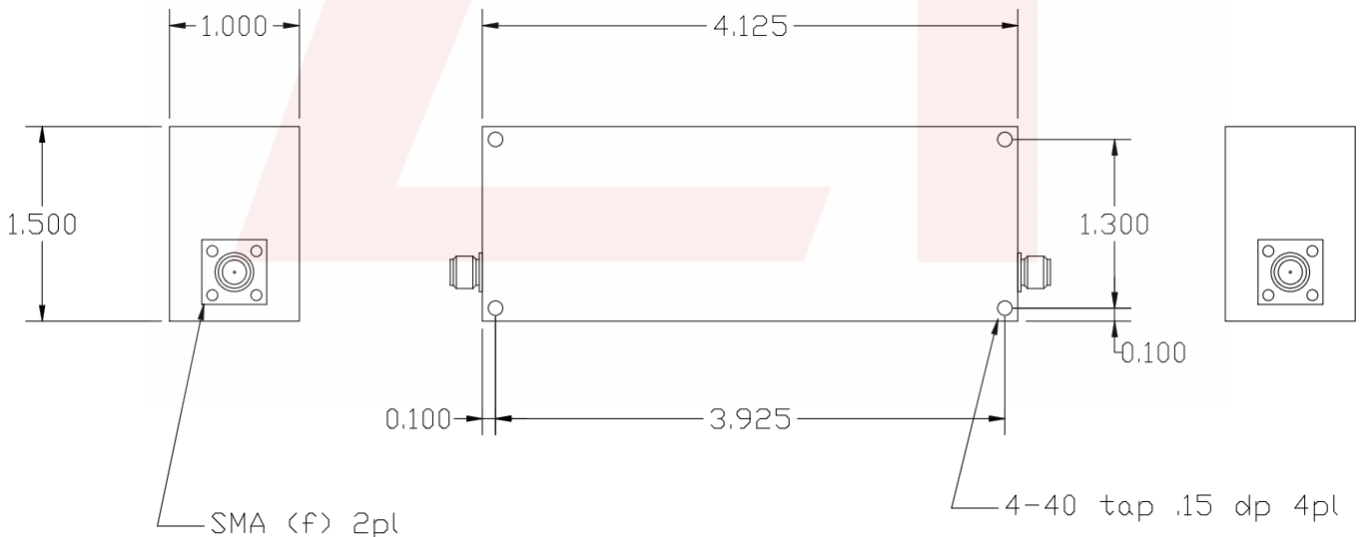
Connector Type: SMA Female
Dimensions: 4.125 x 1.50 x 1.0 in.

Environmental

Operating Temperature: -45°C to +80°C
Storage Temperature: -55°C to +90°C
Shock: 20 G. 11ms
Vibration: 20 G. 5 to 200Hz

***Note:** All seams in this unit, including the tuning screws, cover seams, and connectors seams will be seal with epoxy to give it an outdoor capability.

Outline Drawing:





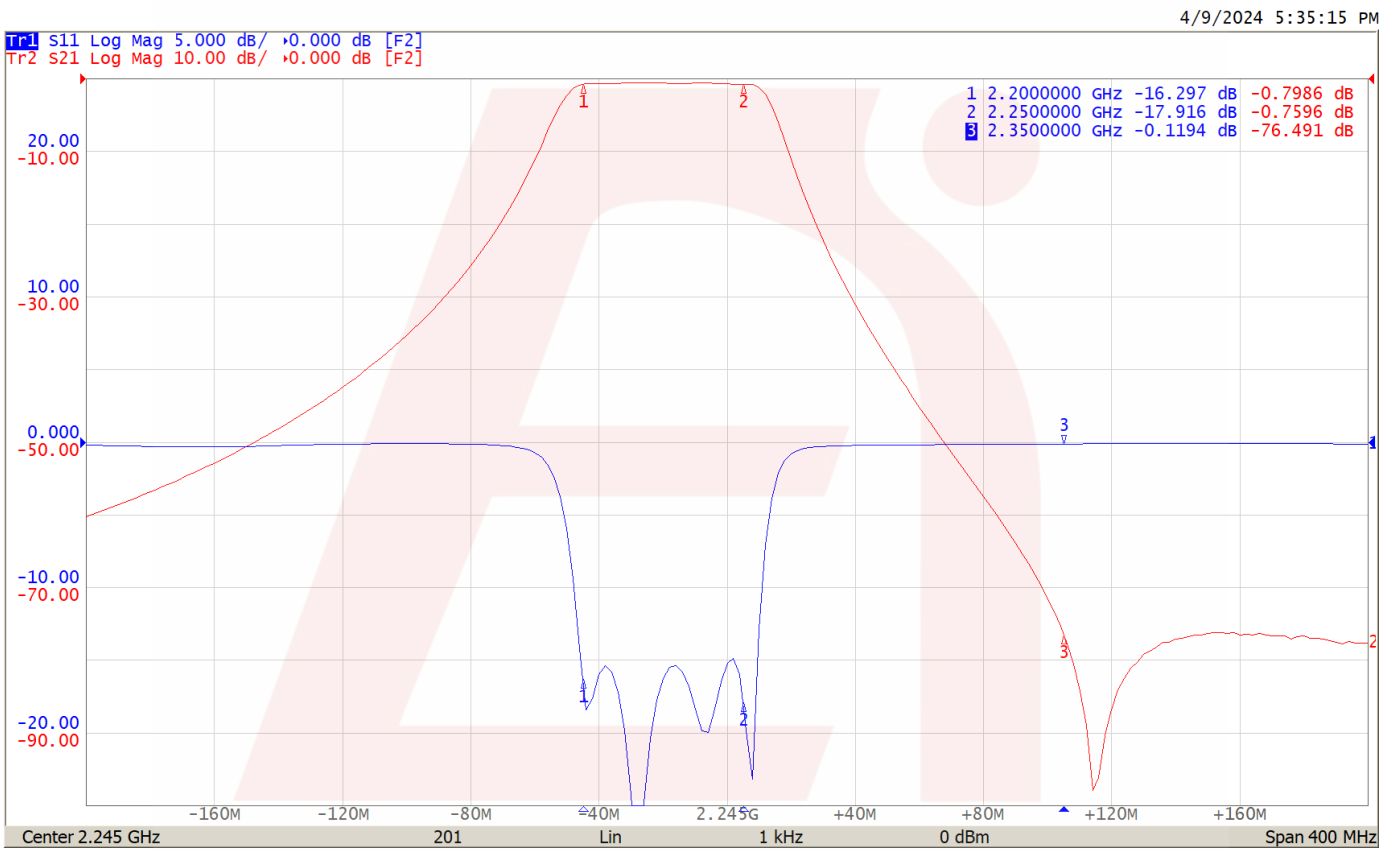
ANATECH ELECTRONICS INC
RF & Microwave Filters & Products

2225 MHz Cavity Band Pass Filter

Part Number: AE2225B12143



Plot:



DS-B12143-04092024-Rev1