



2245 MHz Cavity Band Pass Filter



ANATECH ELECTRONICS INC
RF & Microwave Filters & Products

Part Number: AE2245B11503

Electrical specifications

Center Frequency: 2245 MHz
1dB Bandwidth: 90 MHz
Insertion Loss: 1.5 dB Max
Ripple: 1.5 dB Max
Return Loss: 15 dB Min
Rejection@ 2150MHz: 50 dB Min
Rejection@ 2170MHz: 40 dB Min
Rejection@ 2320MHz: 40 dB Min
Rejection@ 2340MHz: 50 dB Min
Power Handling: 20 Watts Max

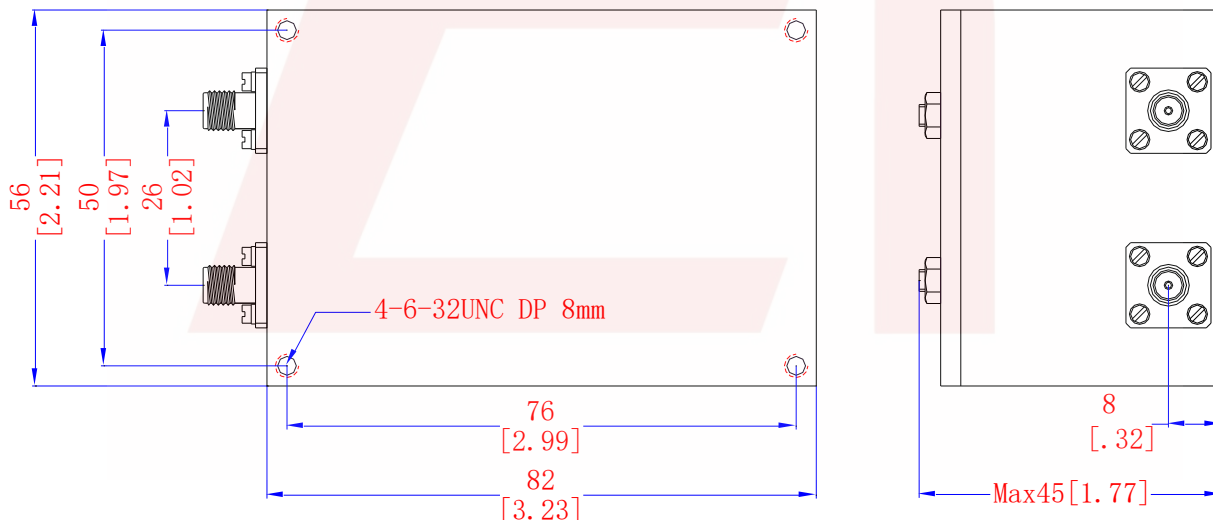
Mechanical

Mounting Method: Threaded Mounting Holes
Connector Type: SMA (F)
Dimensions: 82 x 56 x 45 mm

Environmental

Operating Temperature: -40° to +70° C
Storage Temperature: -45° to +85° C
Shock: 20 G. 11ms
Vibration: 20 G. 5 to 200 Hz

Outline Drawing:



Tolerance: +/-0.01 inches [+/- 0.3mm]

Angles: +/- 1 Deg.

*Tolerance as shown unless otherwise specified in the datasheet electrical specification tables above.

DS-B11503-09162019-Rev0

*When max dimensions are called out the above tolerances do not apply as long as it is under the max call out.



2245 MHz Cavity Band Pass Filter

Part Number: AE2245B11503



Response Plot:



DS-B11503-09162019-Rev0