



ANATECH ELECTRONICS INC
RF & Microwave Filters & Products

Preliminary Datasheet

2330 MHz Cavity Band Pass Filter

Part Number: AE2330B12146



Electrical specifications

Center Frequency: 2330 MHz
1dB Bandwidth: 90 MHz Approx.
Insertion Loss: 1.5 dB Max
Ripple: 1.5 dB Max
Return Loss: 15 dB Min
Rejection: TBD (after retuning)

Power Handling: 20 Watts Max

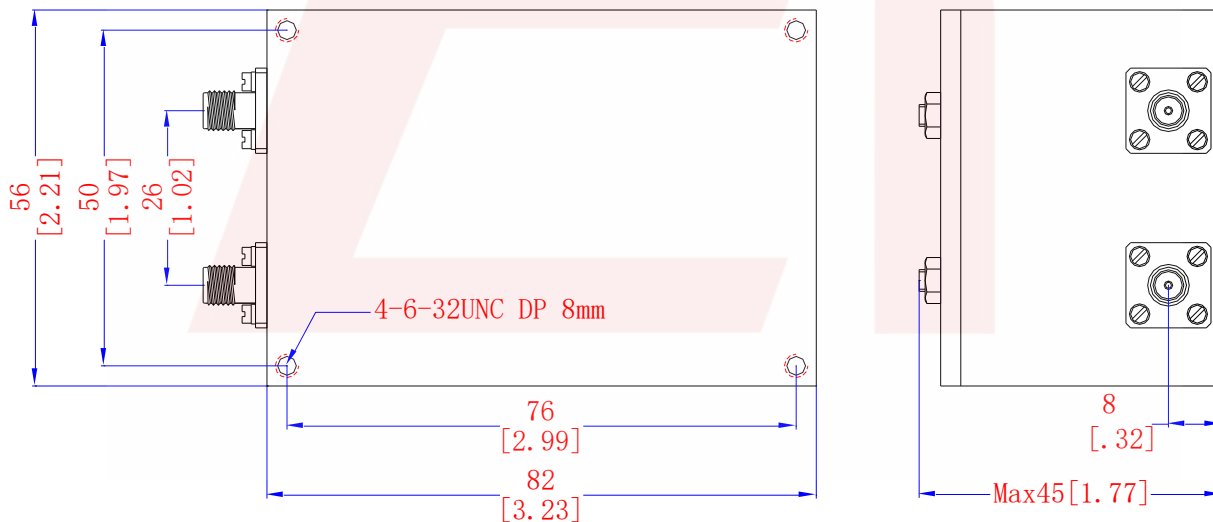
Mechanical

Mounting Method: Threaded Mounting Holes
Connector Type: SMA (F)
Dimensions: 82 x 56 x 45 mm

Environmental

Operating Temperature: -40° to +70° C
Storage Temperature: -45° to +85° C
Shock: 20 G. 11ms
Vibration: 20 G. 5 to 200 Hz

Outline Drawing:



Tolerance: +/-0.01 inches [+/- 0.3mm]

Angles: +/- 1 Deg.

*Tolerance as shown unless otherwise specified in the datasheet electrical specification tables above.

DS-B12146-04292024-Rev0

*When max dimensions are called out the above tolerances do not apply as long as it is under the max call out.

70 Outwater Lane Phone: (973) 772-4242
 Garfield, NJ 07026 Fax : (973) 321-3941

Email: sales@anatechelectronics.com
 Web: www.anatechelectronics.com