



**ANATECH ELECTRONICS INC**  
RF & Microwave Filters & Products

# 2377 MHz Cavity Bandpass Filter

**Part Number: AE2377B12128**



## Electrical Specifications

**Center Frequency:** 2377 MHz  
**Passband (PB):** 20 MHz Min.  
**Group Delay Variation over PB:** 10 nS. Max  
**Passband Insertion Loss:** <1.0 dB  
**Return Loss in PB:** <=15 dB  
**Rejection:** 40 dB @ 2297 MHz  
**Impedance:** 50 ohms In/Out  
**Power Handling:** 60 W

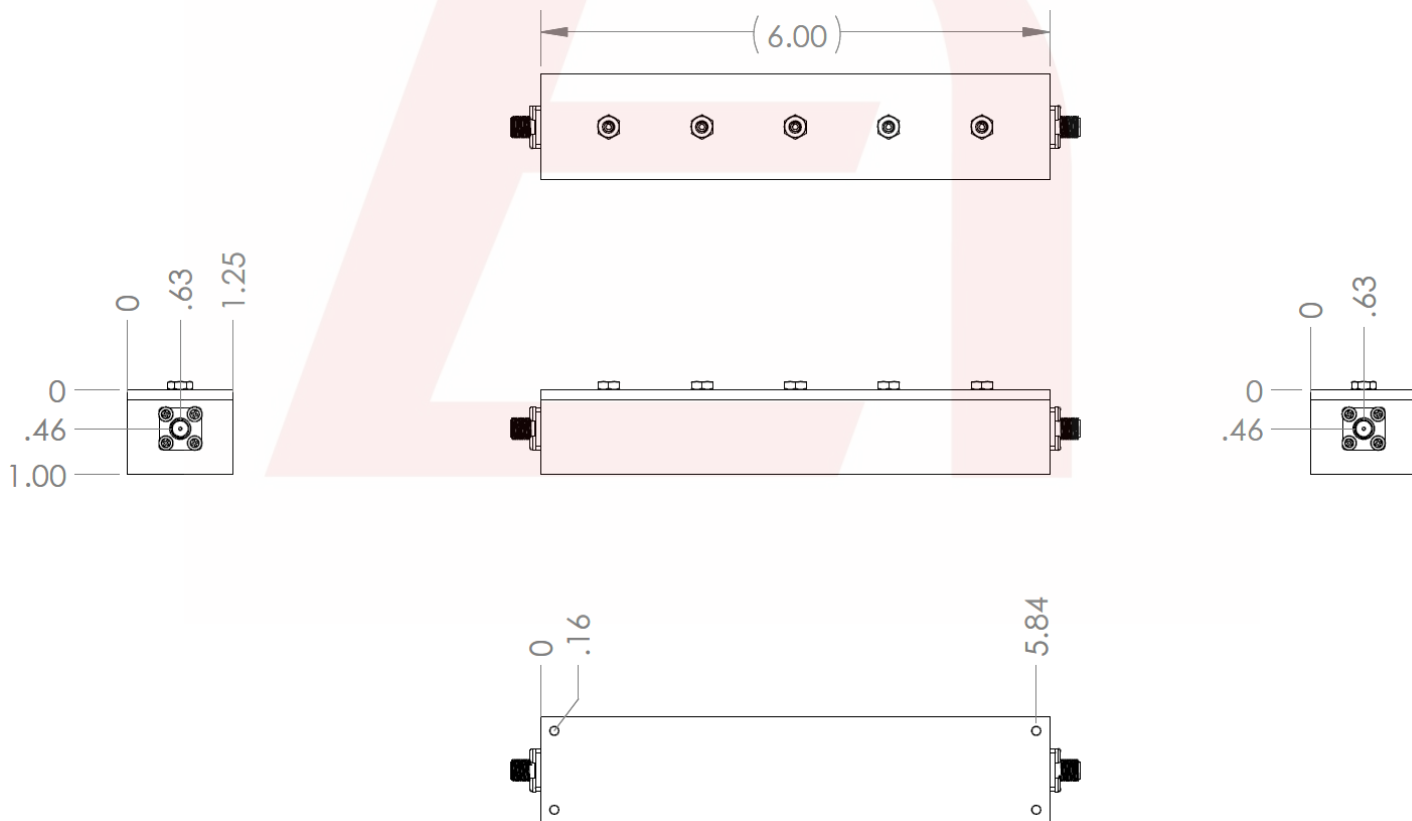
## Mechanical

**Connector Type:** SMA Female  
**Dimensions:** 6.0 x 1.25 x 1.0 in.

## Environmental

**Operating Temperature:** -45°C to +85°C  
**Storage Temperature:** -55°C to +95°C  
**Shock:** 20 G. 11ms  
**Vibration:** 20 G. 5 to 200 Hz

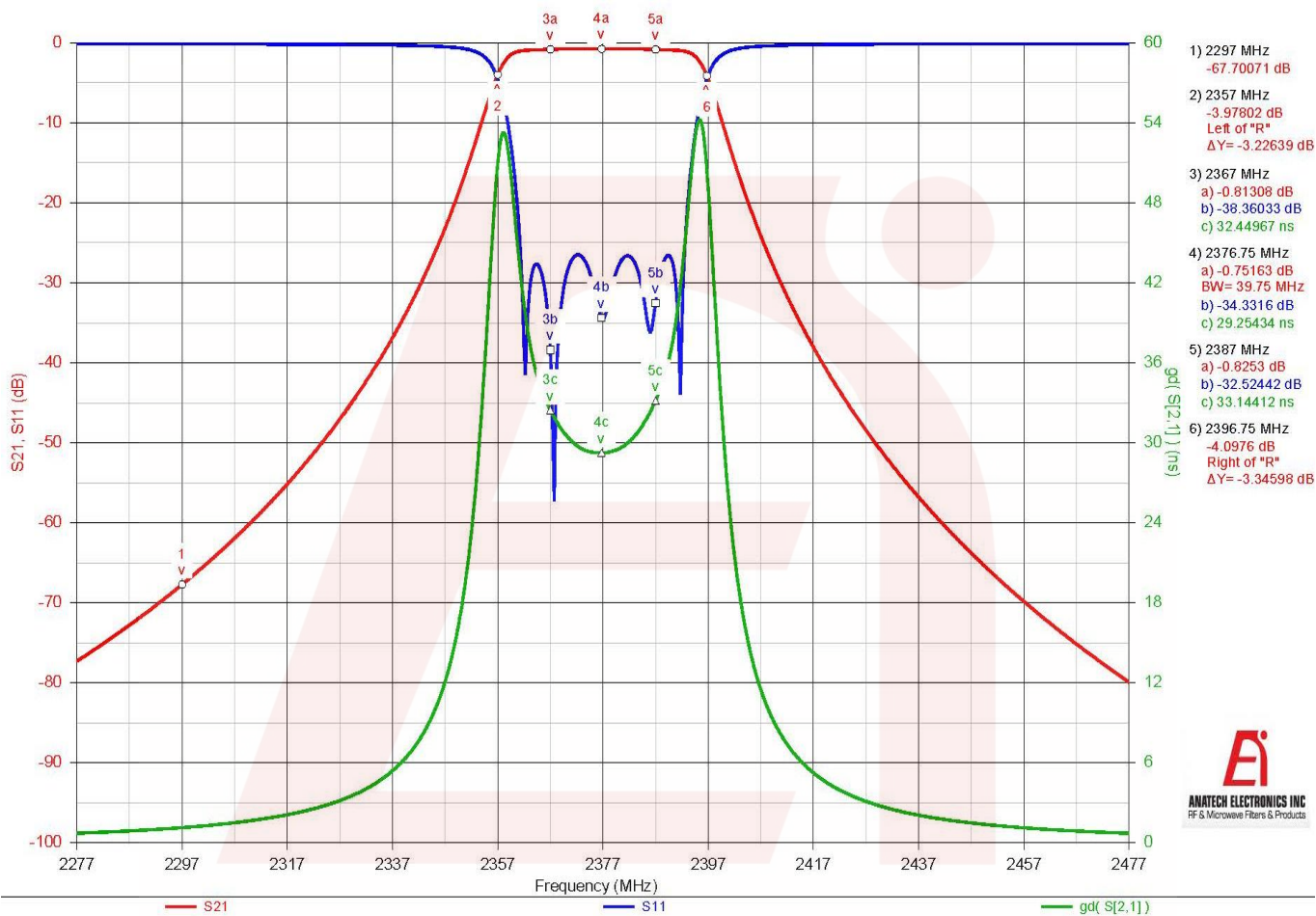
## Outline Drawing:



DS-B12128-03122024-Rev0



### Simulated Plot:



Note: This is a simulation plot. Actual results may differ.