



2400 MHz High Pass Filter

Part Number: AE2400H9903



Electrical specifications

Cutoff Frequency: 2400 MHz
Passband: 2400-6000 MHz
Insertion Loss @ Passband: 1 dB Max
Return Loss: 14 dB Min
Rejection: >40 dB @ <= 800 MHz
Power Handling: 5 Watts

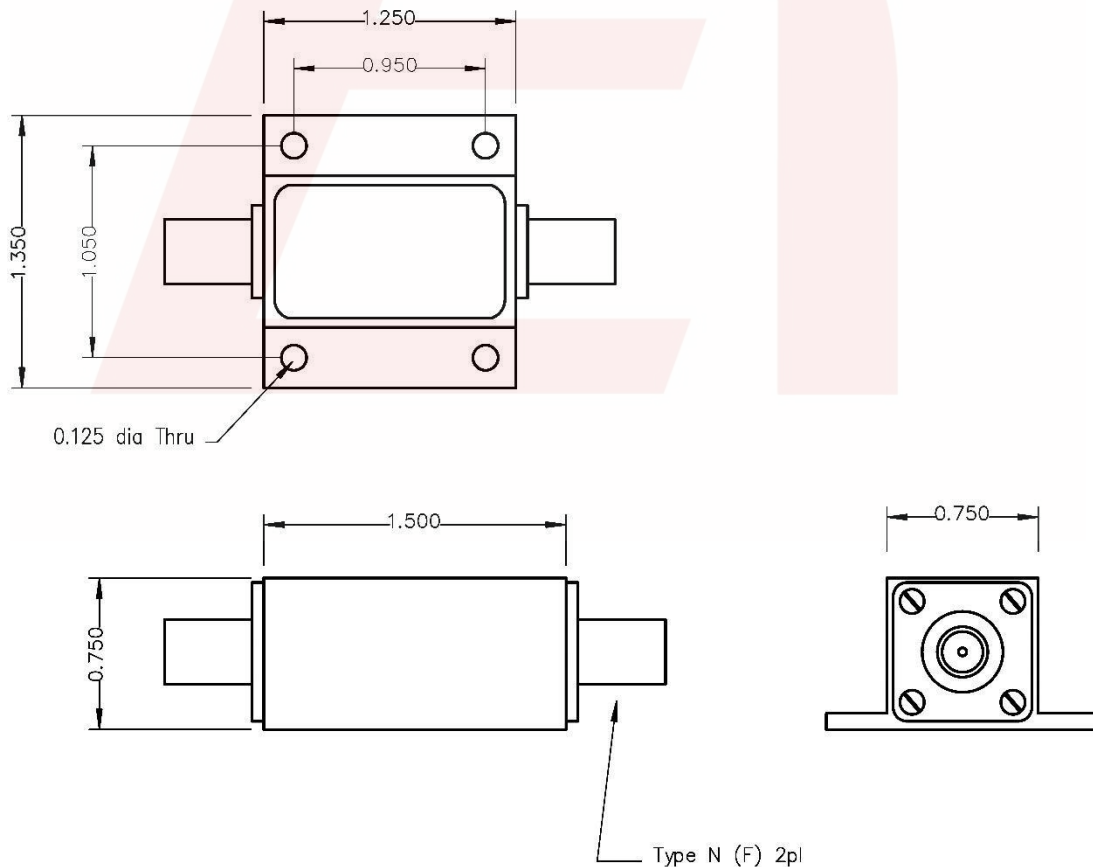
Mechanical

Mounting Method: Flange. Thru holes
Connector Type: N type (F)
Dimensions: 1.25" X 0.75" X 0.75"

Environmental

Operating Temperature: -40 to +70° C
Storage Temperature: -50 to +85° C

Outline Drawing:

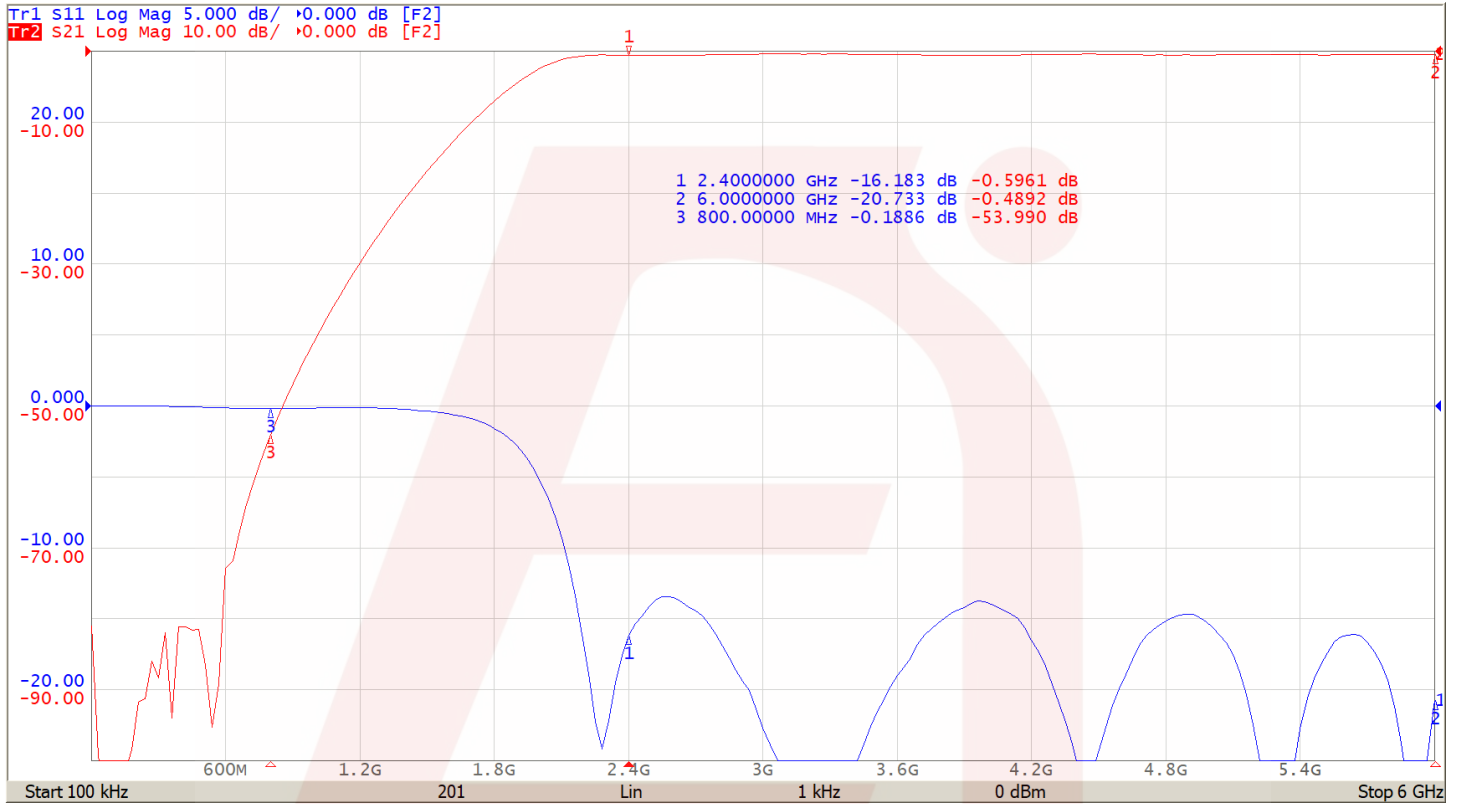


DS-H9903-10052017-Rev0



Response Plot

4/22/2021 3:52:27 PM



DS-H9903-10052017-Rev0