



ANATECH ELECTRONICS INC
RF & Microwave Filters & Products

244-270 MHz / 292-318 MHz LC Duplexer

Part Number: AE257-305DB5498-50W

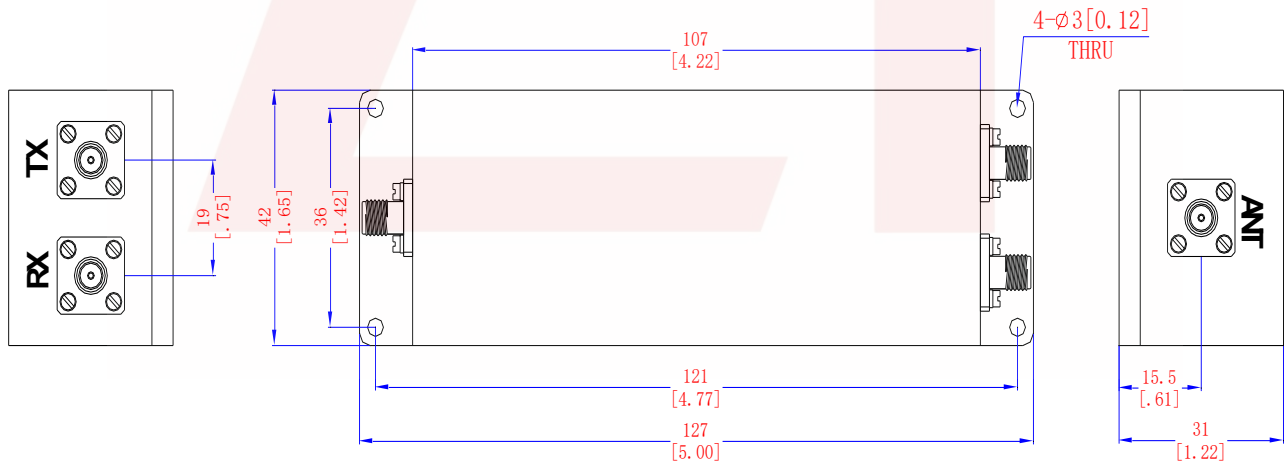


Characteristics	Band 1(RX)	Band 2(TX)
Passband:	244-270 MHz	292-318 MHz
Bandwidth:	26 MHz	26 MHz
Return Loss:	14 dB Min.	14 dB Min.
Insertion Loss:	2.0 dB Max.	2.0 dB Max.
Rejection:	38 dB Min @ 292-318 MHz	38 dB Min @ 244-270 MHz
Port assignment	Port 1: ANT Port 2: RX Port 3: TX	
Power Handling:	50 W CW Avg. (100 W Peak)	
Impedance:	50 Ohms In/Out	

Mechanical	
Mounting:	0.12" Thru holes
Connectors:	SMA (F)
Dimensions:	4.22 x 1.65 x 1.22 in 107 x 42 x 31 mm

Environmental	
Operating Temperature:	-40°C to +70°C
Storage Temperature:	-55°C to +85°C
Shock:	20 G. 11ms
Vibration:	20 G. 5 to 200Hz

Outline Drawing:



Tolerance: +/-0.01 inches [+/- 0.3mm]

Angles: +/- 1 Deg.

*Tolerance as shown unless otherwise specified in the datasheet electrical specification tables above.

*When max dimensions are called out the above tolerances do not apply as long as it is under the max call out.

DS-DB5498-50W-112724-Rev0



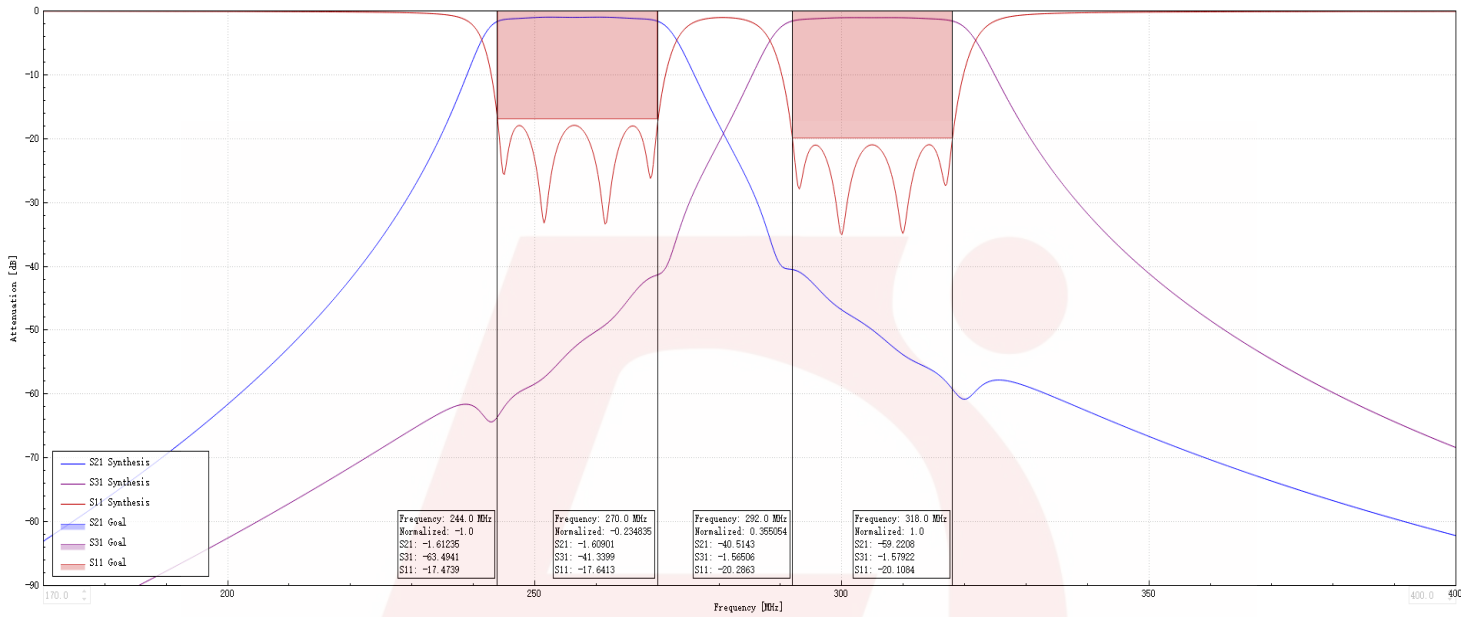
ANATECH ELECTRONICS INC
RF & Microwave Filters & Products

244-270 MHz / 292-318 MHz LC Duplexer

Part Number: AE257-305DB5498-50W



Simulation Plot:



Tolerance: +/-0.01 inches [+/- 0.3mm]

Angles: +/- 1 Deg.

*Tolerance as shown unless otherwise specified in the datasheet electrical specification tables above.

*When max dimensions are called out the above tolerances do not apply as long as it is under the max call out.

DS-DB5498-50W-112724-Rev0

70 Outwater Lane Phone: (973)772-4242
Garfield, NJ 07026 Fax: (973)321-3941

Email: sales@anatechelectronics.com
Web: www.anatechelectronics.com