



# 280 MHz LC Band Pass Filter

Part Number: AE280B11173



## Electrical Specifications

**Center Frequency:** 280 MHz  
**1 dB Bandwidth:** 80 MHz  
**Passband:** 240-320 MHz  
**Insertion Loss:** 2.5 dB Max  
**Rejection:** >60 dBc @ 120-160 MHz  
>45 dBc @ 360-480 MHz  
>70 dBc @ 480-640 MHz

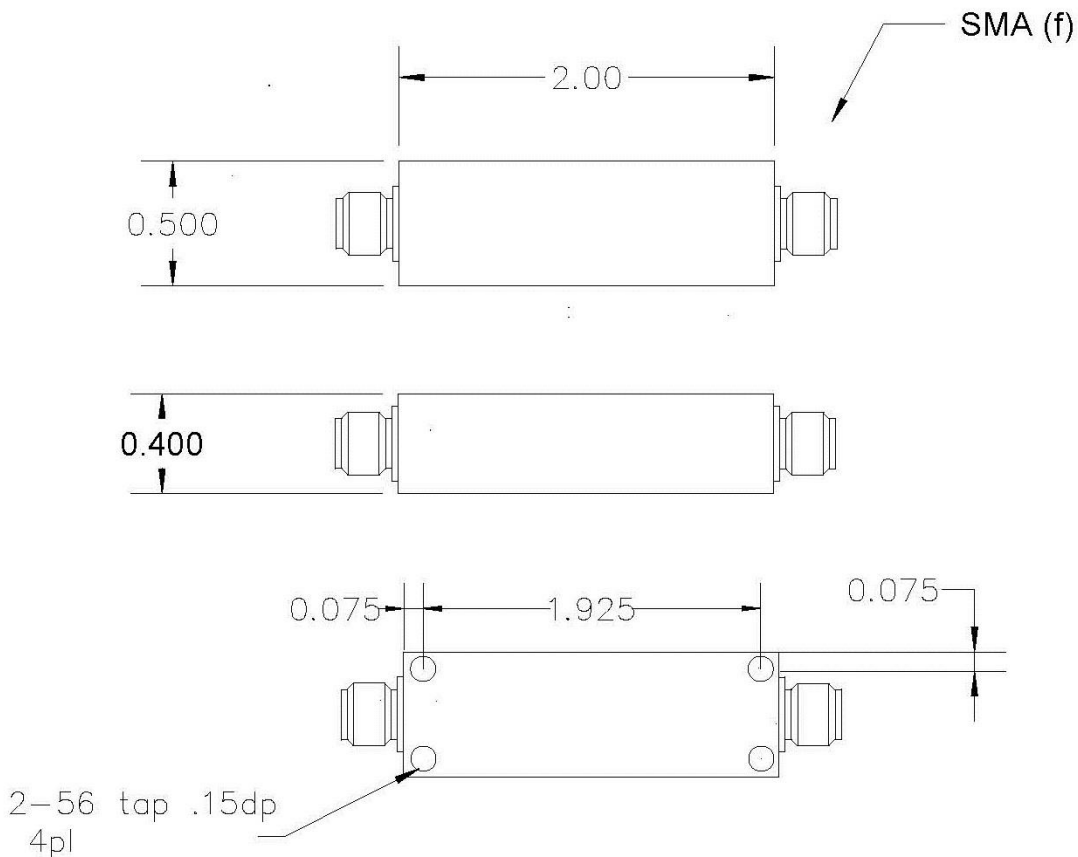
## Mechanical

**Connector Type:** SMA (F)  
**Dimensions:** 2.0 x 0.5 x 0.4 Inches

## Environmental

**Operating Temperature:** -20 to +75° C  
**Storage Temperature:** -45 to +85° C

## Outline Drawing:



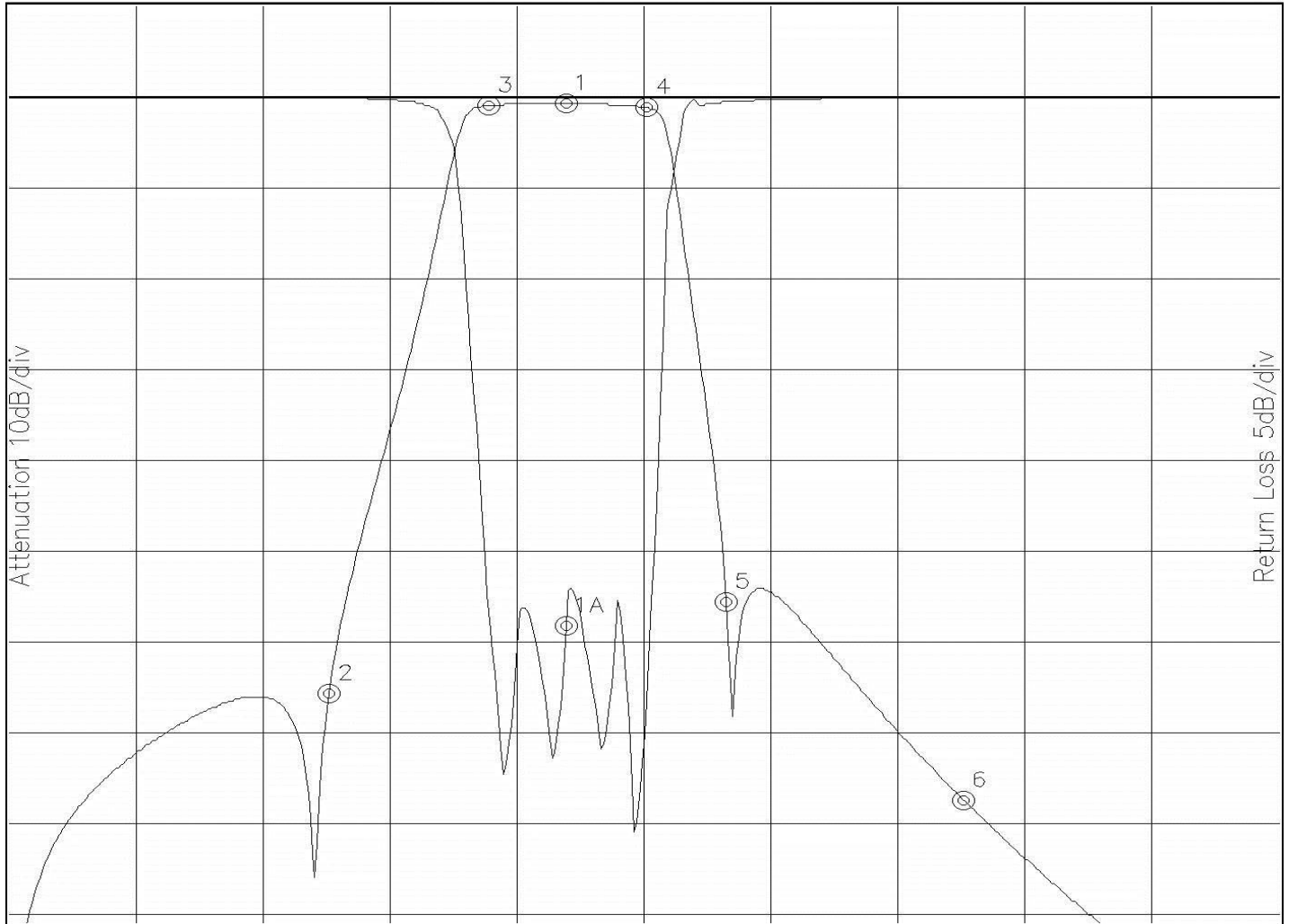


### Response Plot:

A465.lad

DEC 30, 2014

Attenuation/Return Loss



Attenuation Start: 0.064Hz Stop: 640.0MHz

Return Loss Start: 0.064Hz Stop: 640.0MHz

- Marker 1 Freq 280.19MHz Atten -0.670dB
- Marker 2 Freq 160.25MHz Atten -65.480dB
- Marker 3 Freq 240.90MHz Atten -0.877dB
- Marker 4 Freq 320.51MHz Atten -1.131dB
- Marker 5 Freq 360.84MHz Atten -55.335dB
- Marker 6 Freq 480.77MHz Atten -77.197dB

Marker 1A Freq 280.19MHz Ret Loss -28.971dB