



30-76 MHz Tunable Bandpass filter

Part Number: AE30-76TB104



ANATECH ELECTRONICS INC
RF & Microwave Filters & Products

Electrical specifications

Frequency range: 30-76 MHz
Type: 5 section
Passband Insertion loss: 1.3 dB max
3 dB bandwidth: 5%
VSWR: 1.5:1
Dial Accuracy: +/- 1%
Shape factor:
30 dB to 3 dB 2.2:1
50 dB to 3 dB 3.5:1
Power handling: 50 Watts CW
Impedance: 50 Ohms

Mechanical

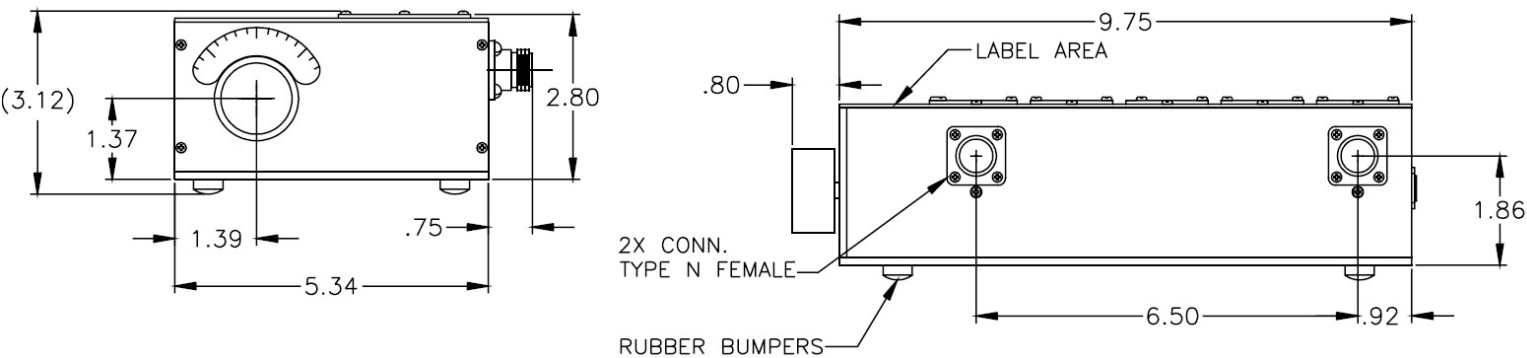
Mounting Method: Threaded Mounting Holes
Connector Type: N-Type Female
Dimensions: 9.80" x 5.38" x 2.75" in

Environmental

Operating Temperature: -45 to +85° C
Storage Temperature: -55 to +95° C
Shock: 20 G. 11ms
Vibration: 20 G. 5 to 200 Hz

*Manual Frequency selection

Outline Drawing:



Tolerance	
.xx±	.03
.xxx±	.015
.xxxx±	Angle±1°