



**ANATECH ELECTRONICS INC**  
RF & Microwave Filters & Products

# 3000 MHz Cavity Band Pass Filter

**Part Number: AE3000B11818**



## Electrical Specifications

**Center Frequency:** 3000 MHz  
**Passband:** 2000 – 4000 MHz  
**Insertion Loss:** 1.0 dB Max.  
**Return Loss:** 12 dB Min.  
**Rejection:**  $\geq 20\text{dB}$  @ 1700 MHz  
**Rejection:**  $\geq 20\text{dB}$  @ 4700 MHz  
**Rejection:**  $\geq 35\text{dB}$  @ 1300 MHz  
**Rejection:**  $\geq 35\text{dB}$  @ 5000 MHz  
**Impedance:** 50 Ohms  
**Power Handling:** 50 W

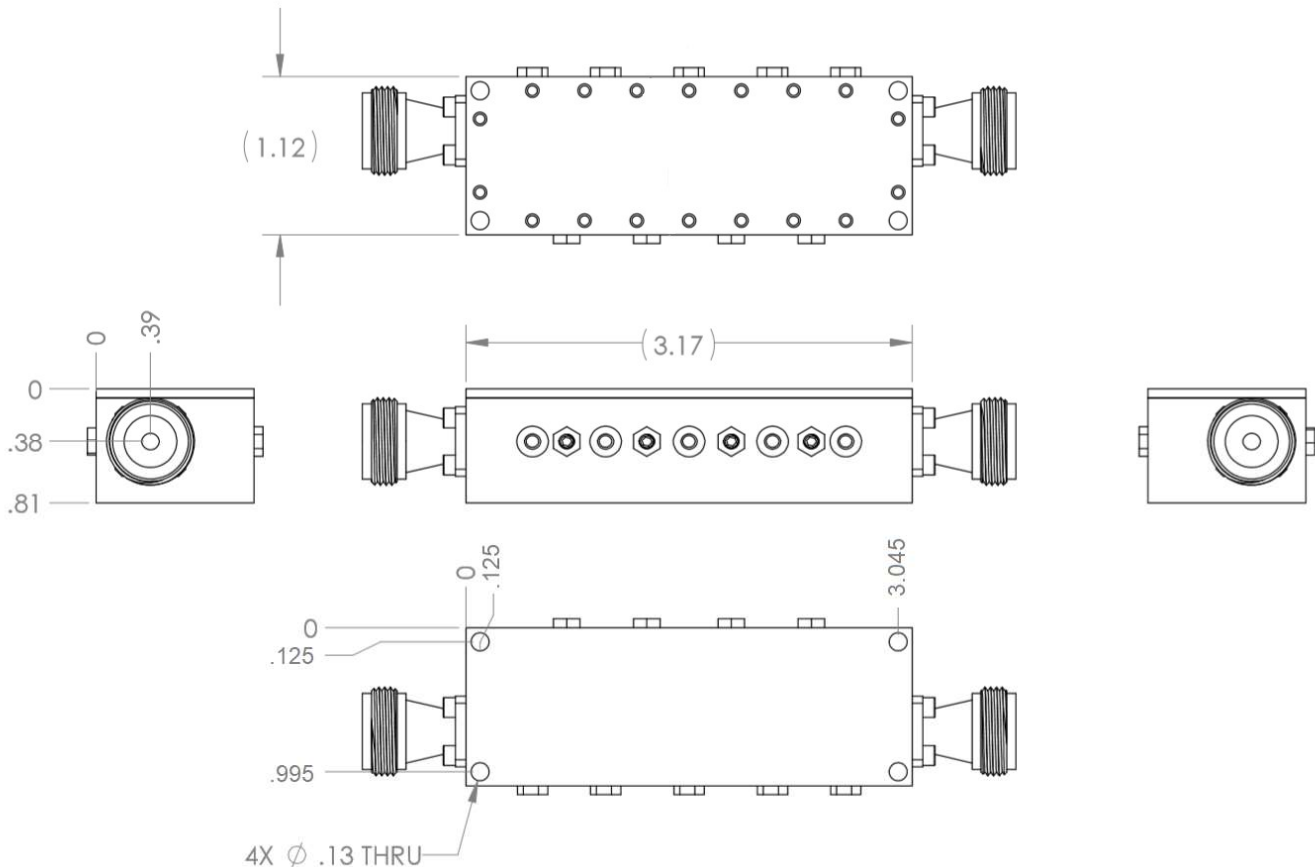
## Mechanical

**Mounting Method:** Thru Hole  
**Connector Type:** N Type (F)  
**Dimensions:** 3.17 x 1.12 x 0.81 inches

## Environmental

**Operating Temperature:**  $-40^{\circ}\text{C}$  to  $+70^{\circ}\text{C}$   
**Storage Temperature:**  $-55^{\circ}\text{C}$  to  $+85^{\circ}\text{C}$   
**Shock:** 20 G. 11ms  
**Vibration:** 20 G. 5 to 200Hz

## Outline Drawing:



Tolerance:  $\pm 0.01$  inches [ $\pm 0.3\text{mm}$ ]

Angles:  $\pm 1$  Deg.

\*Tolerance as shown unless otherwise specified in the datasheet electrical specification tables above.

\*When max dimensions are called out the above tolerances do not apply as long as it is under the max call out.

70 Outwater Lane Phone: (973) 772-4242  
 Garfield, NJ 07026 Fax : (973) 321-3941

Email: [sales@anatechelectronics.com](mailto:sales@anatechelectronics.com)  
 Web: [www.anatechelectronics.com](http://www.anatechelectronics.com)