



ANATECH ELECTRONICS INC
RF & Microwave Filters & Products

30 MHz LC Bandpass Filter

Part Number: **AE30B10527**



Electrical Specifications

Center Frequency: 30 MHz

3 dB Bandwidth: 0.8 MHz

Insertion Loss: <4 dB

Impedance: 50 Ohms

Rejection Frequency on low side: <35 dB@ 28 MHz

Rejection Frequency on High side: <40 dB@ 33 MHz

VSWR: 1:5:1 max

Power: 1Watt Max.

Mechanical

Mounting Method: Threaded Mounting Holes

Connector type: SMA (Female)

Dimensions: 2.38" X 1.0" x 1.0" in.

Environmental

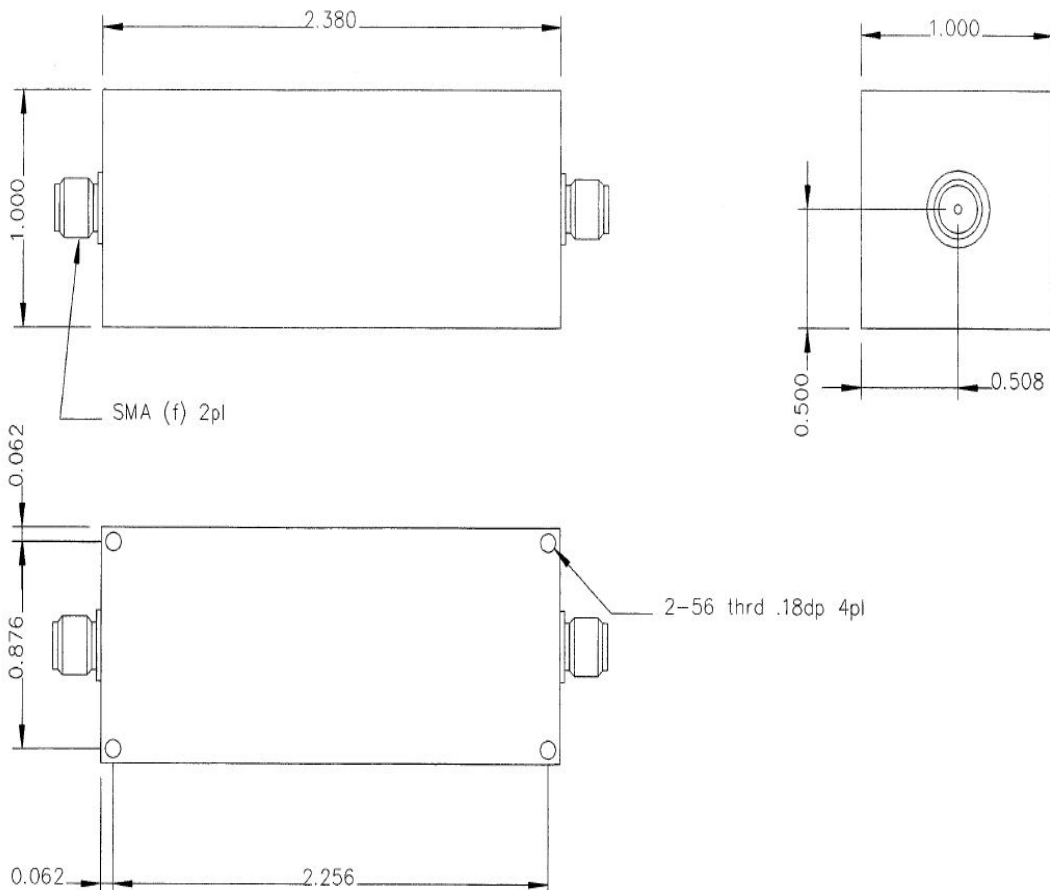
Operating Temperature: -25°C to +70°C

Storage Temperature: -40°C to +90°C

Shock: 10 G. 11ms

Vibration: 10 G. 5 to 200 Hz

Outline Drawing:





Simulation Response Plot:

