



**ANATECH ELECTRONICS INC**  
RF & Microwave Filters & Products

## 310 MHz LC Bandpass Filter

Part Number: AE310B10542



### Electrical Specifications

**Center Frequency:** 310 MHz  
**3 dB Bandwidth:** 380 MHz  
**Passband:** 120MHz to 500 MHz  
**Return loss:** 15dB  
**Impedance:** 50 Ohms  
**Rejection:** <20dB @ <30 MHz  
**Rejection2:** <20dB @ >2000 MHz  
**Insertion loss:** 3 dB 120 to 500 MHz  
**Insertion loss2:** 3 dB @310 MHz

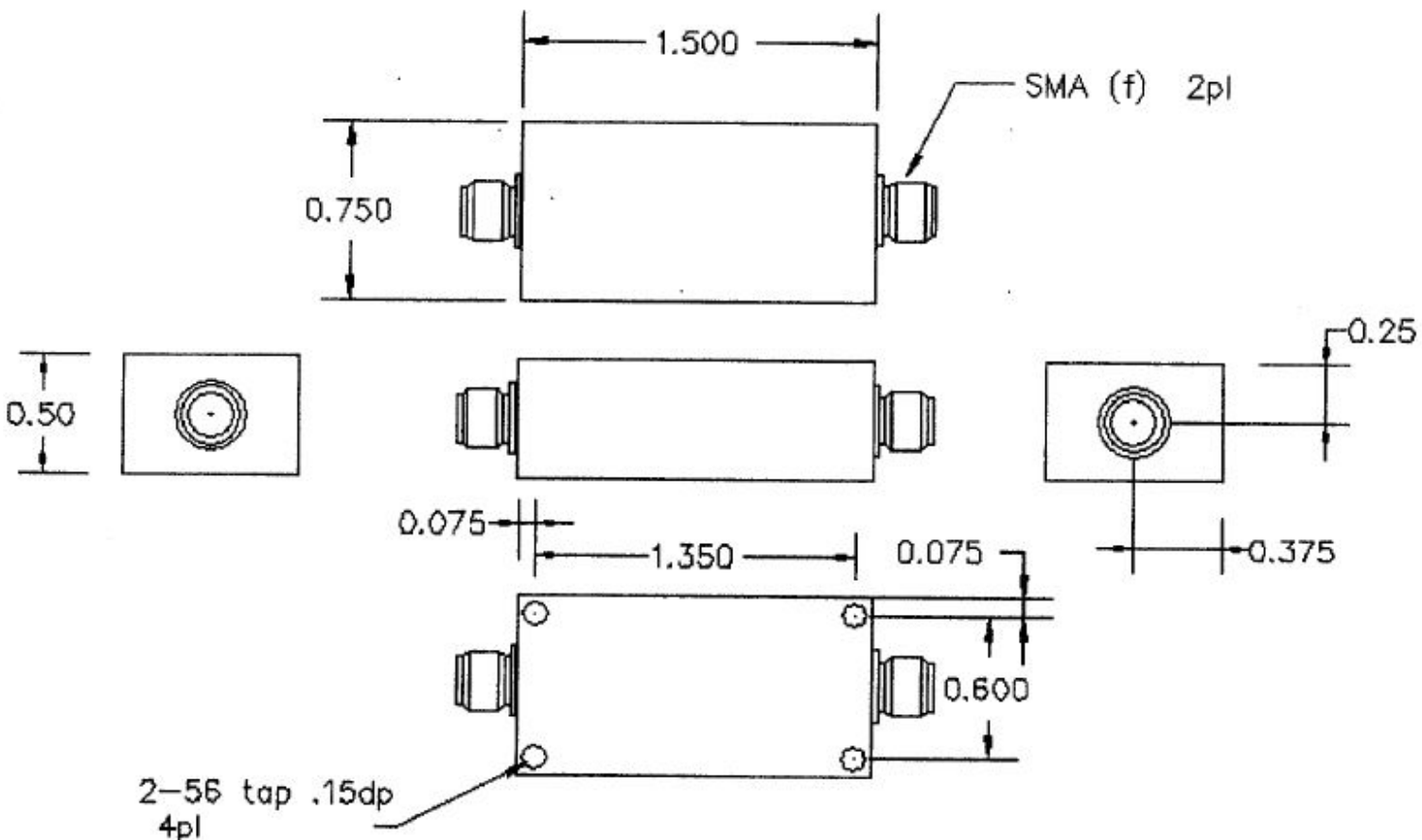
### Mechanical

**Connector Type:** SMA(Female)  
**Dimensions:** 1.50" X 0.75" x 0.5" in.

### Environmental

**Operating Temperature:** -25°C to +70°C  
**Storage Temperature:** -40°C to +90°C  
**Shock:** 10 G. 11ms  
**Vibration:** 10 G. 5 to 200Hz

### Outline Drawing:





**ANATECH ELECTRONICS INC**  
RF & Microwave Filters & Products

# 310 MHz LC Bandpass Filter

Part Number: AE310B10542



## Response Plot:

