



**ANATECH ELECTRONICS INC**  
RF & Microwave Filters & Products

# 36.125 MHz LC Bandpass Filter

**Part Number: AE36.125B6379**



## Electrical Specifications

**Center Frequency:** 36.125 MHz  
**Bandwidth:** 8 MHz  
**Passband Frequencies:** 32.125 MHz to 40.125 MHz  
**Impedance:** 75 Ohms  
**Rejection:** >30dB @ 0-29.3 MHz  
**Rejection:** 30dB @ 43.7-100 MHz  
**Insertion loss:** <3dB @ 36.125MHz  
**VSWR:** 1.5:1

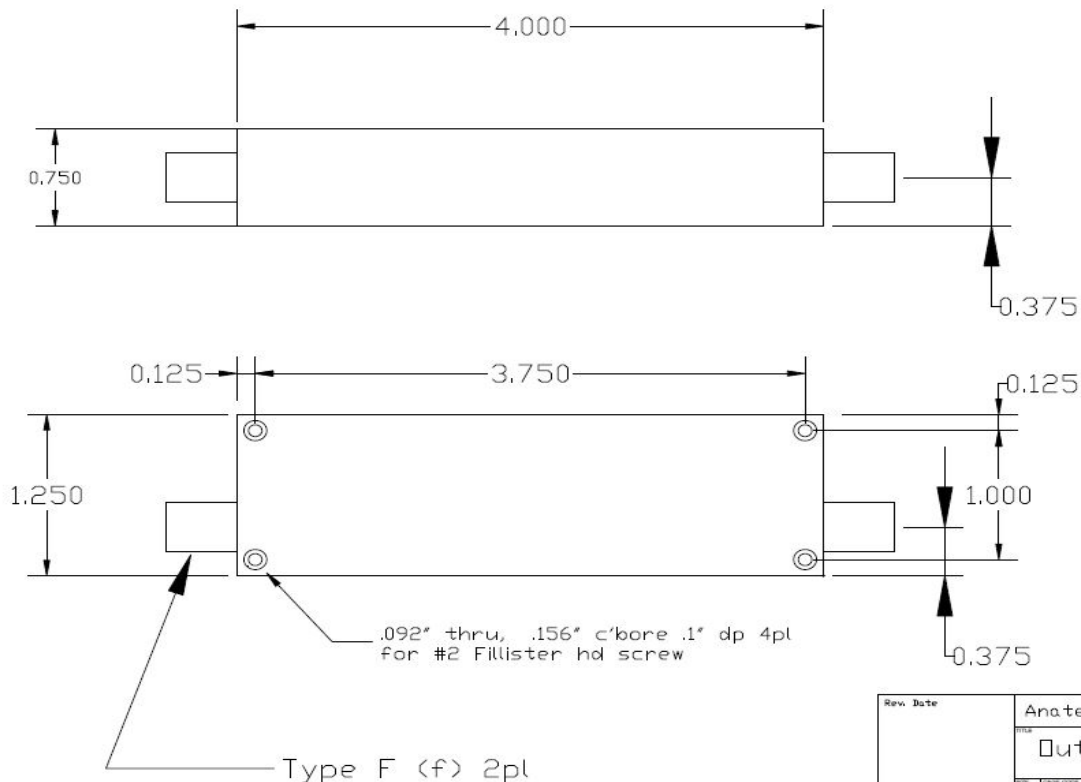
## Mechanical

**Mounting Method:** Through Holes  
**Connector Type:** F-Type(Female)  
**Dimensions:** 4.0" X 1.250" x 0.75" in.

## Environmental

**Operating Temperature:** -25°C to +70°C  
**Storage Temperature:** -40°C to +90°C  
**Shock:** 10 G. 11ms  
**Vibration:** 10 G. 5 to 200Hz

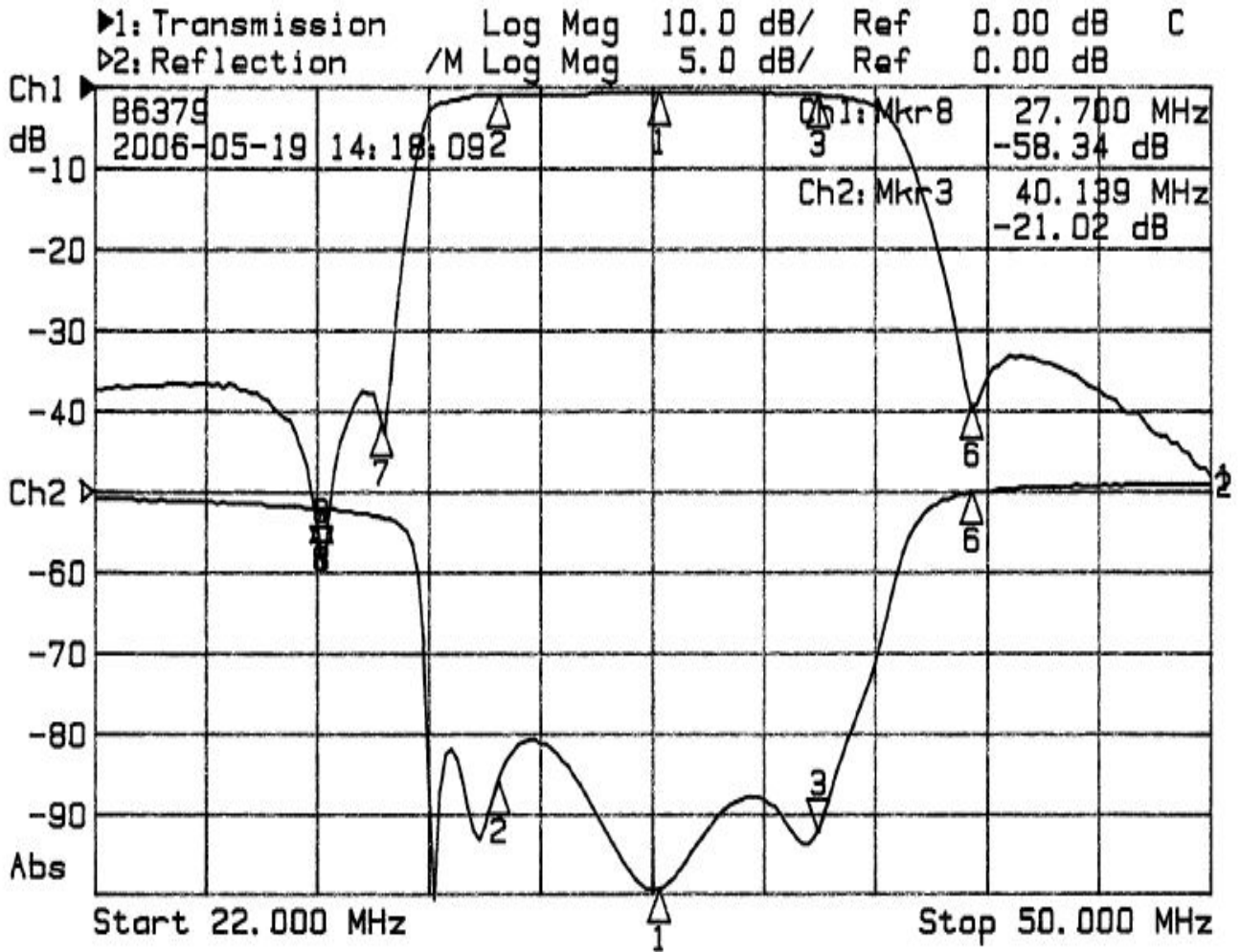
## Outline Drawing:



Rev. Date	Anatech Electronics Inc		
	TITLE		
	Outline Drawing		
DESIGN	DATE CODE	REV. NO.	REV. DATE
	OK0R2	986922	
DATE	08/08/08	DATE	



**Response Plot:**



1: Mkr (MHz)	dB	2: Mkr (MHz)	dB		
1:	36.16	-0.68	1:	36.16	-24.69
2:	32.13	-0.86	2:	32.13	-17.93
3:	40.14	-1.07	3>	40.14	-21.02
6:	44.00	-39.33	6:	44.00	-0.05
7:	29.20	-41.50			
8>	27.70	-58.34	8:	27.70	-1.12