



**Electrical Specifications**

**Center Frequency:** 3625 MHz  
**3dB Bandwidth(BW):** 150 MHz Min.  
**Passband Frequency (PB):** 3550-3700 MHz  
**Insertion Loss in BW :** 3.0 dB Max  
**Ripple In BW:** 1.0dB Max.  
**Return Loss :** 12 dB Min.  
**Rejection1:** 20 dB Min. @ 3250 MHz  
**Rejection2:** 20 dB Min. @ 3750 MHz  
**Power Handling:** 1 W  
**Input / output Impedance:** 50 Ohms

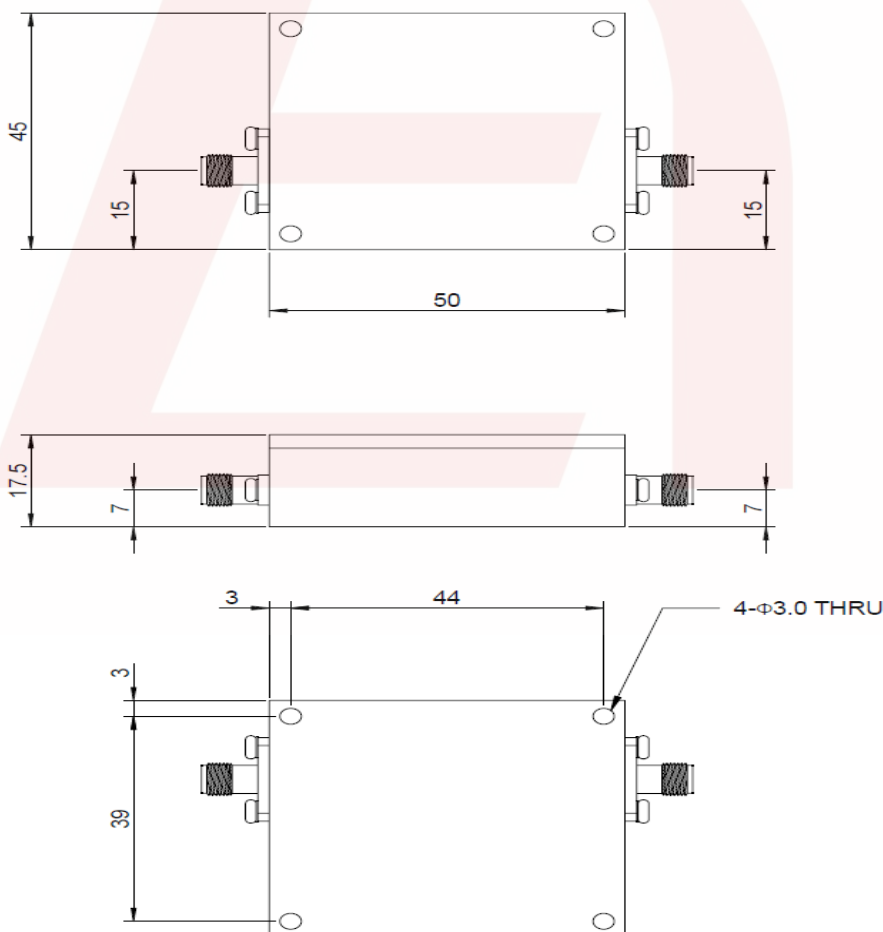
**Mechanical**

**Mounting Method:** Through Holes  
**Connector Type:** SMA(F)  
**Dimensions:** 50 x 45 x 17.5 mm

**Environmental**

**Operating Temperature:** -45°C to +85°C  
**Storage Temperature:** -50°C to +90 °C  
**Shock:** 10G. 11ms  
**Vibration:** 10G 0.5 to 200 Hz

**Outline Drawing:**



Tolerance: +/-0.01 inches [  
 Angles: +/- 1 Deg.

\*Tolerance as shown unless otherwise specified in the datasheet electrical specification tables above.

\*When max dimensions are called out the above tolerances do not apply as long as it is under the max call out.

DS-CB1787-C-11112019-Rev0