



ANATECH ELECTRONICS INC
RF & Microwave Filters & Products

3800 MHz Absorptive LC Lowpass Filter Part Number: AE3800LL9330-A



Electrical Specifications

Cut-Off Frequency: 3800 MHz
Passband: 3300 – 3800 MHz
Insertion Loss: 2.0 dB Max
Return Loss: 15 dB Min @ Passband
 15 dB Min @ Rejection Band
Rejection Band: 80 dB Min @ 6600 – 11400 MHz
Impedance: 50 Ohms
Average Power: 50 W Max @ Passband CW
 1 W Max @ Rejection Band CW

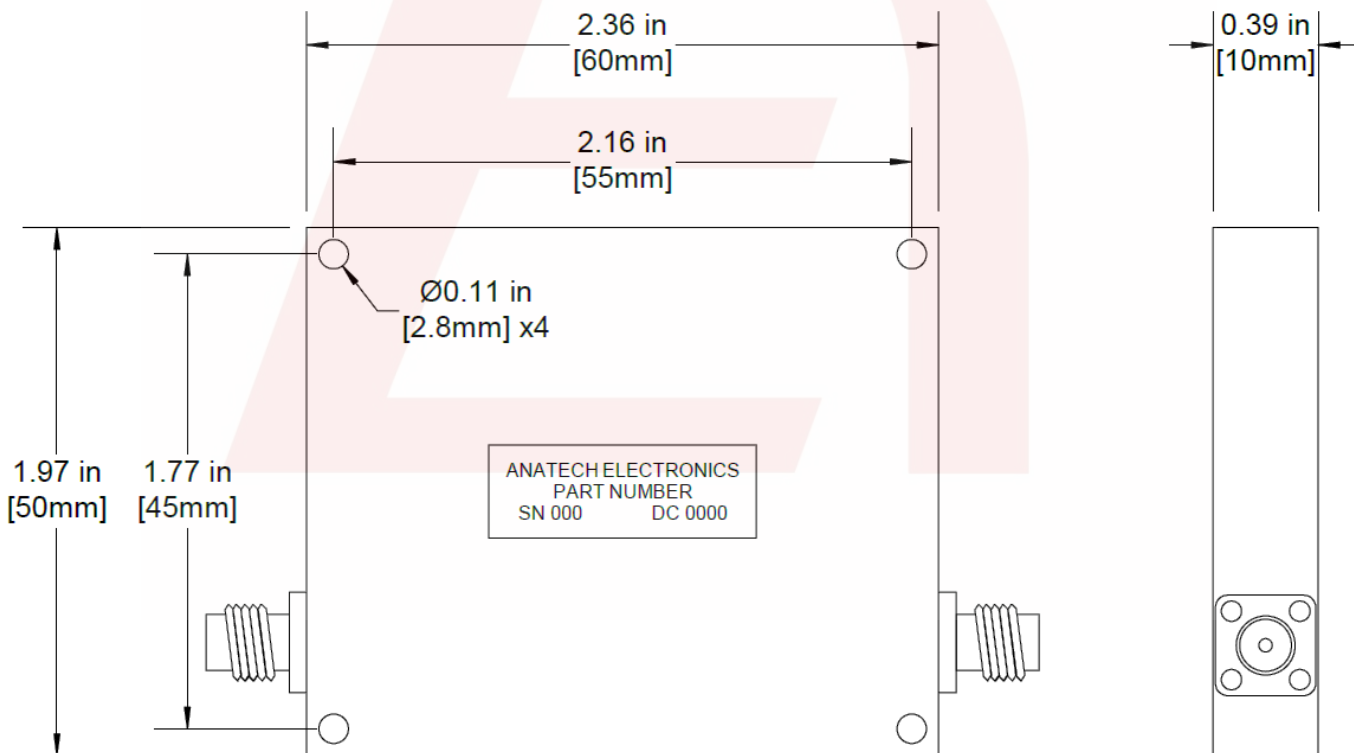
Mechanical

Connector Type: SMA (F)
Dimensions: 2.36 x 1.97 x 0.39 in.
 60 x 50 x 10 mm

Environmental

Operating Temperature: -20° C to +65° C
Storage Temperature: -55° C to +85° C
Shock: 10 G.11ms
Vibration: 10 G. 5 to 2000 Hz

Outline Drawing:



DS-LL9330-A-05222024-Rev1